

2

1

070-2090-90

APPLICATION

NEXT ASS'Y	USED ON	VAR

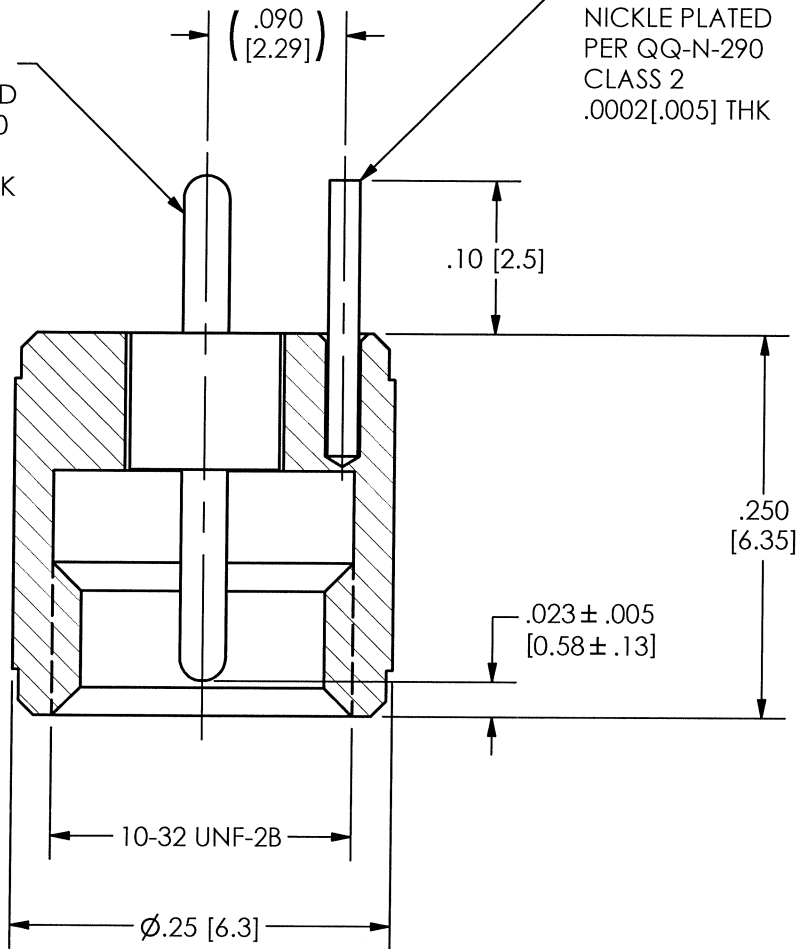
REVISIONS

REV	DESCRIPTION	ECN	APP'D
A	REVISED AND REDRAWN	3283	DM 7/99
B	UPDATE DRAWING	23771	DM 2/06

PCB Piezotronics Inc. claims proprietary rights in the information disclosed hereon. Neither it nor any reproduction thereof will be disclosed to others without the written consent of PCB Piezotronics Inc.

ELECTRODE
NICKLE PLATED
PER QQ-N-290
CLASS 2
.0002[.005] THK

CONNECTOR WIRE
NICKLE PLATED
PER QQ-N-290
CLASS 2
.0002[.005] THK



UNLESS OTHERWISE SPECIFIED TOLERANCES ARE:

DIMENSIONS IN INCHES	DIMENSIONS IN MILLIMETERS [IN BRACKETS]
DECIMALS XX ± .03	DECIMALS X ± 0.8
XXX ± .010	XX ± 0.25
ANGLES ± 2 DEGREES	ANGLES ± 2 DEGREES

DRAWN	ECB 2/27/06	MFG	RC 2/28/06
CHK'D	DM 2/27/06	ENGR	ECB 2/27/06
APP'D	RE 3/13/06	SALES	DPC 3/13/06

PCB PIEZOTRONICS INC.
 3425 WALDEN AVE. DEPEW, NY 14043
 (716) 684-0001 E-MAIL: sales@pcb.com

TITLE
 OUTLINE DRAWING
 MODEL 070B09
 SOLDER CONNECTOR ADAPTOR

CODE IDENT. NO. 52681	DWG. NO. 070-2090-90
SCALE: 8X	SHEET 1 OF 1

2

1