

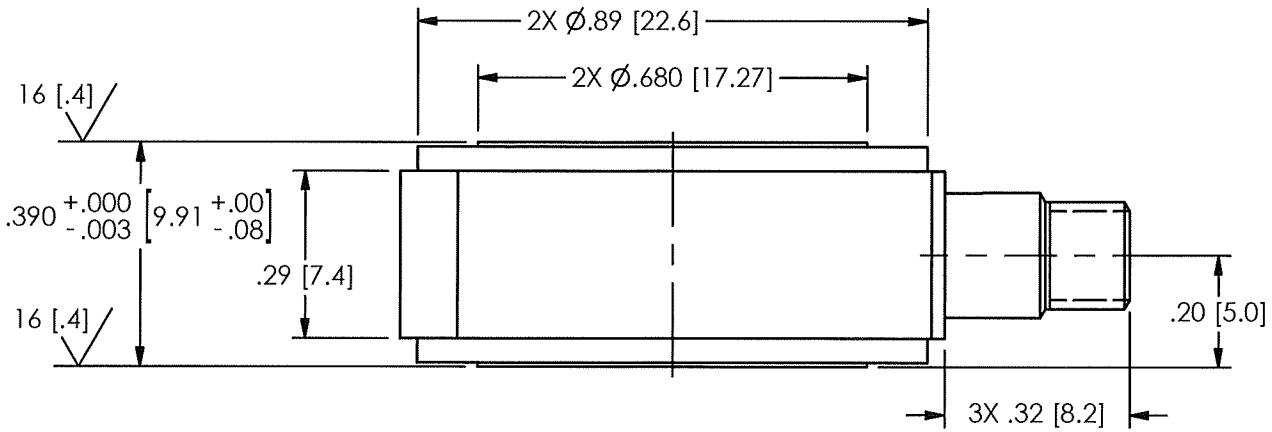
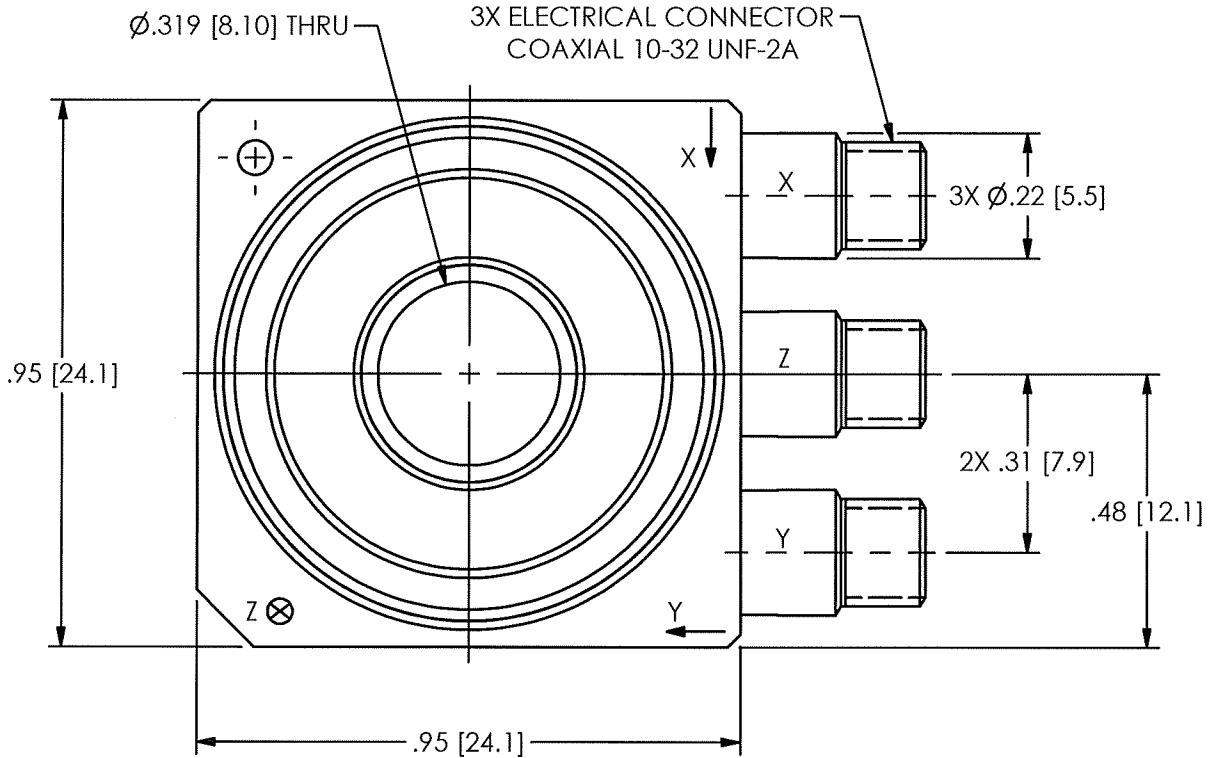
PCB Piezotronics Inc. claims proprietary rights in the information disclosed hereon. Neither it nor any reproduction thereof will be disclosed to others without the written consent of PCB Piezotronics Inc.

REVISIONS		
REV	DESCRIPTION	DIN
E	UPDATED ETCHING ON CONNECTORS	39702

10520

B


B



A

A

1.) SEE SHEET 2 AND 3 FOR STANDARD AND METRIC MOUNTING INSTRUCTIONS

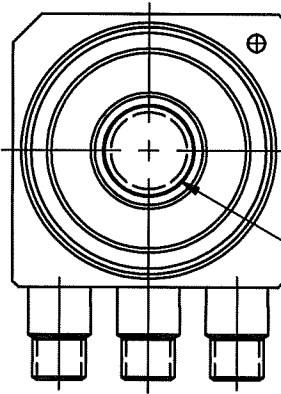
UNLESS OTHERWISE SPECIFIED TOLERANCES ARE:		DRAWN		CHECKED		ENGINEER		 3425 WALDEN AVE. DEPEW, NY 14043 (716) 684-0001 E-MAIL: sales@pcb.com	
DIMENSIONS IN INCHES	DIMENSIONS IN MILLIMETERS [IN BRACKETS]	JDM	7/27/12	ECB	7/27/12	NJL	7/27/12		
DECIMALS XX ±.01 XXX ±.005	DECIMALS X ±.03 XX ±.013	TITLE INSTALLATION DRAWING MODEL (M) 260A31 TRIAXIAL FORCE SENSOR						SCALE: 2X	SHEET 1 OF 3
ANGLES ± 2 DEGREES	ANGLES ± 2 DEGREES							FILLETS AND RADII .003 - .005	FILLETS AND RADII 0.07 - 0.13

PCB Piezotronics Inc. claims proprietary rights in the information disclosed hereon. Neither it nor any reproduction thereof will be disclosed to others without the written consent of PCB Piezotronics Inc.

REVISIONS

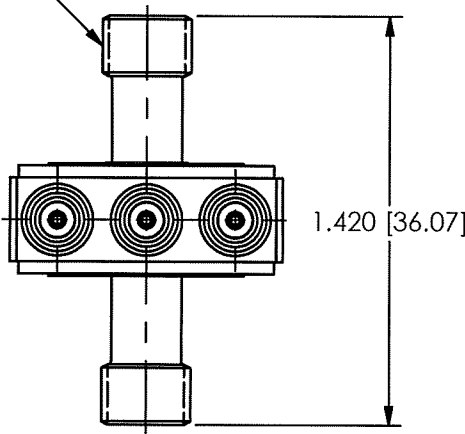
REV	DESCRIPTION	DIN
	-SEE SHEET ONE-	

10520

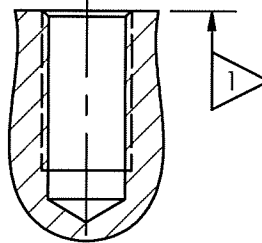


MODEL 083A10 PILOT BUSHING (SUPPLIED)

MODEL 081A70 STUD 5/16-24 UNF-2A TYP EACH END (SUPPLIED)



TYP STUD MOUNTING INSTALLATION



MOUNTING HOLE PREPARATION:

$\varnothing.272[\varnothing6.91]$ $\nabla.655[16.64]$ 2
 $5/16-24$ UNF-2B $\nabla.555[14.10]$ 1

3.) SEE MANUAL FOR PRELOAD INSTRUCTIONS

2 DRILL PERPENDICULAR TO MOUNTING SURFACE TO WITHIN $\pm 1^\circ$

1 MOUNTING SURFACE UNDER FORCE RING MUST BE FLAT WITHIN $\pm.001$ [0.03] TIR WITH A 32 [.8] ✓

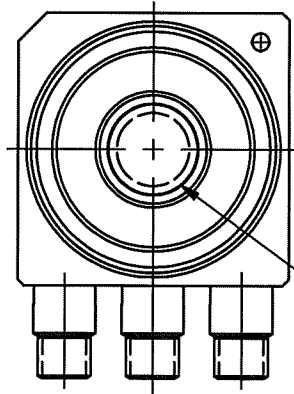
UNLESS OTHERWISE SPECIFIED TOLERANCES ARE:		DRAWN	CHECKED	ENGINEER		 3425 WALDEN AVE. DEPEW, NY 14043 (716) 684-0001 E-MAIL: sales@pcb.com	
DIMENSIONS IN INCHES	DIMENSIONS IN MILLIMETERS [IN BRACKETS]	JDM	7/27/12	ECB	7/27/12		CODE IDENT. NO. 52681 DWG. NO. 10520
DECIMALS XX $\pm.01$ XXX $\pm.005$	DECIMALS X ± 0.3 XX ± 0.13	TITLE INSTALLATION DRAWING MODEL 260A31 TRIAXIAL FORCE SENSOR				SCALE: 1.5X	SHEET 2 OF 3
ANGLES ± 2 DEGREES	ANGLES ± 2 DEGREES					FILLETS AND RADII .003 - .005	FILLETS AND RADII 0.07 - 0.13

PCB Piezotronics Inc. claims proprietary rights in the information disclosed hereon. Neither it nor any reproduction thereof will be disclosed to others without the written consent of PCB Piezotronics Inc.

REVISIONS

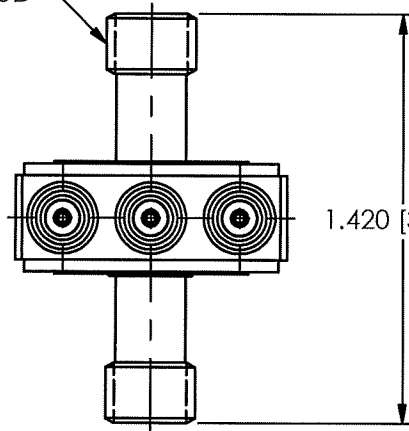
REV	DESCRIPTION	DIN
	-SEE SHEET ONE-	

10520



MODEL 083A10 PILOT BUSHING (SUPPLIED)

MODEL M081A70 STUD
M8 X 1.25-6g
TYP EACH END
(SUPPLIED)

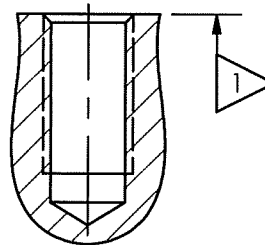


1.420 [36.07]

TYP STUD MOUNTING INSTALLATION

MOUNTING HOLE PREPARATION:

Ø.266[Ø6.80] ∇ .655[16.64] ∇ 2
M8 X 1.25-6H ∇ .555[14.10] ∇ 1



3.) SEE MANUAL FOR PRELOAD INSTRUCTIONS

∇ 2 DRILL PERPENDICULAR TO MOUNTING SURFACE TO WITHIN $\pm 1^\circ$

∇ 1 MOUNTING SURFACE UNDER FORCE RING MUST BE FLAT WITHIN $\pm .001$ [0.03] TIR WITH A 32 [.8] ∇

UNLESS OTHERWISE SPECIFIED TOLERANCES ARE:		DRAWN		CHECKED		ENGINEER		PCB PIEZOTRONICS ^{INC}	
DIMENSIONS IN INCHES	DIMENSIONS IN MILLIMETERS [IN BRACKETS]	JDM	7/27/12	ECB	7/27/12	NJL	7/27/12	3425 WALDEN AVE. DEPEW, NY 14043 (716) 684-0001 E-MAIL: sales@pcb.com	
DECIMALS XX \pm .01 XXX \pm .005	DECIMALS X \pm .03 XX \pm .013	TITLE INSTALLATION DRAWING MODEL M260A31 TRIAXIAL FORCE SENSOR						CODE IDENT. NO. 52681	DWG. NO. 10520
ANGLES \pm 2 DEGREES	ANGLES \pm 2 DEGREES							SCALE: 1.5X	SHEET 3 OF 3
FILLETS AND RADII .003 - .005	FILLETS AND RADII 0.07 - 0.13								