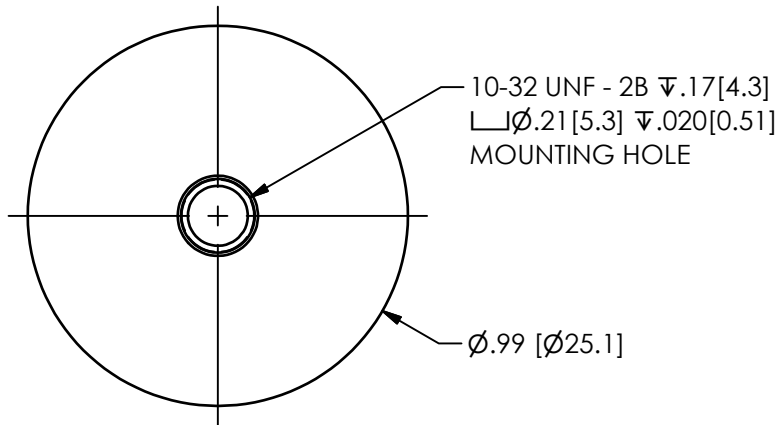
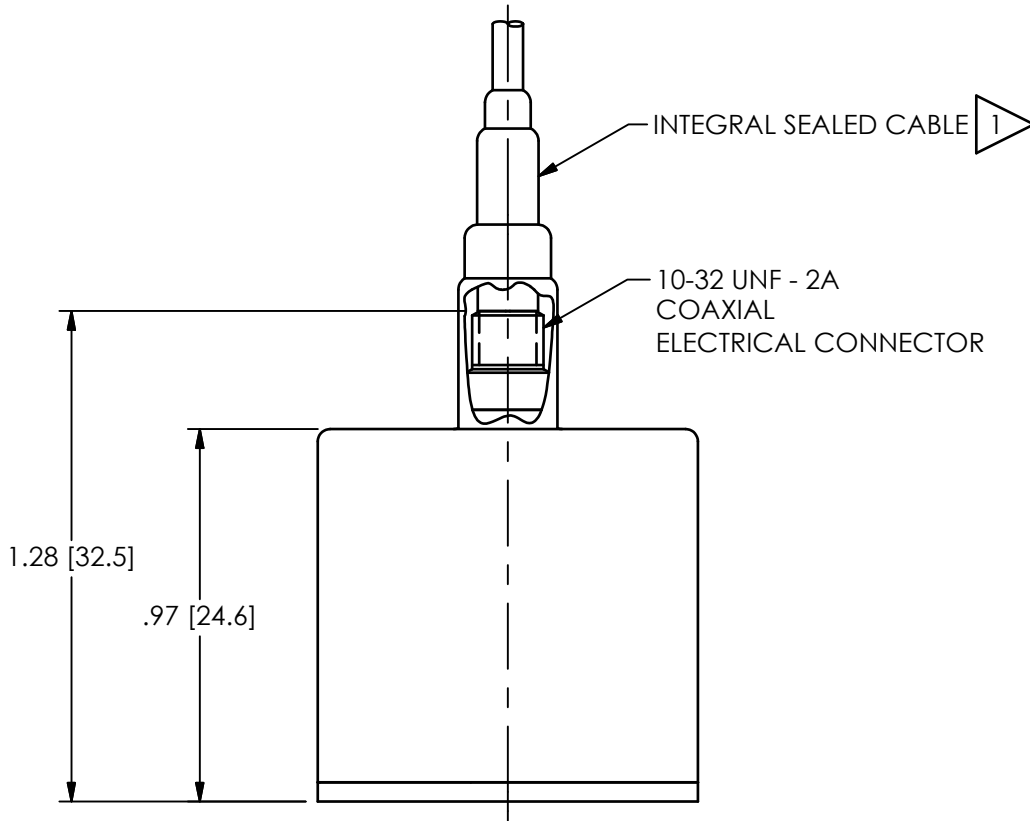


PCB Piezotronics Inc. claims proprietary rights in the information disclosed herein. Neither it nor any reproduction thereof will be disclosed to others without the written consent of PCB Piezotronics Inc.

REVISIONS		
REV	DESCRIPTION	DIN
D	OAL 1.28 [32.5] WAS 1.27 [32.3]	52850

14129



1 ADD CABLE FOR SENSOR WITH WATER RESISTANCE CONNECTOR OPTION

UNLESS OTHERWISE SPECIFIED TOLERANCES ARE:		DRAWN		CHECKED		ENGINEER		PCB PIEZOTRONICS AN AMPHENOL COMPANY 3425 WALDEN AVE. DEPEW, NY 14043 (716) 684-0001 E-MAIL: sales@pcb.com	
DIMENSIONS IN INCHES	DIMENSIONS IN MILLIMETERS [IN BRACKETS]	JJF	5/10/22	JJF	5/10/22	BAM	5/10/22		
DECIMALS XX \pm .03 XXX \pm .010 ANGLES \pm 2 DEGREES	DECIMALS X \pm 0.8 XX \pm 0.25 ANGLES \pm 2 DEGREES	TITLE OUTLINE DRAWING MODEL 393B04/ 393B05 SERIES ACCELEROMETER							CODE IDENT. NO. 52681
CABLE TOLERANCES IN ENGLISH 1" \leq LENGTH < 1' = +1" / - 0 1' \leq LENGTH < 5' = +2" / - 0 5' \leq LENGTH < 100' = +6" / - 0 100' \leq LENGTH = +1' / - 0	CABLE TOLERANCES IN METRIC 2.54cm \leq LENGTH < 30.5cm = +2.54cm / - 0 30.5cm \leq LENGTH < 1.5m = +5.1cm / - 0 1.5m \leq LENGTH < 30.5m = +15.2cm / - 0 30.5m \leq LENGTH = +30.5cm / - 0								SCALE: 2X
FILLETS AND RADII .003 - .005	FILLETS AND RADII 0.07 - 0.13	SHEET 1 OF 1							

2

1