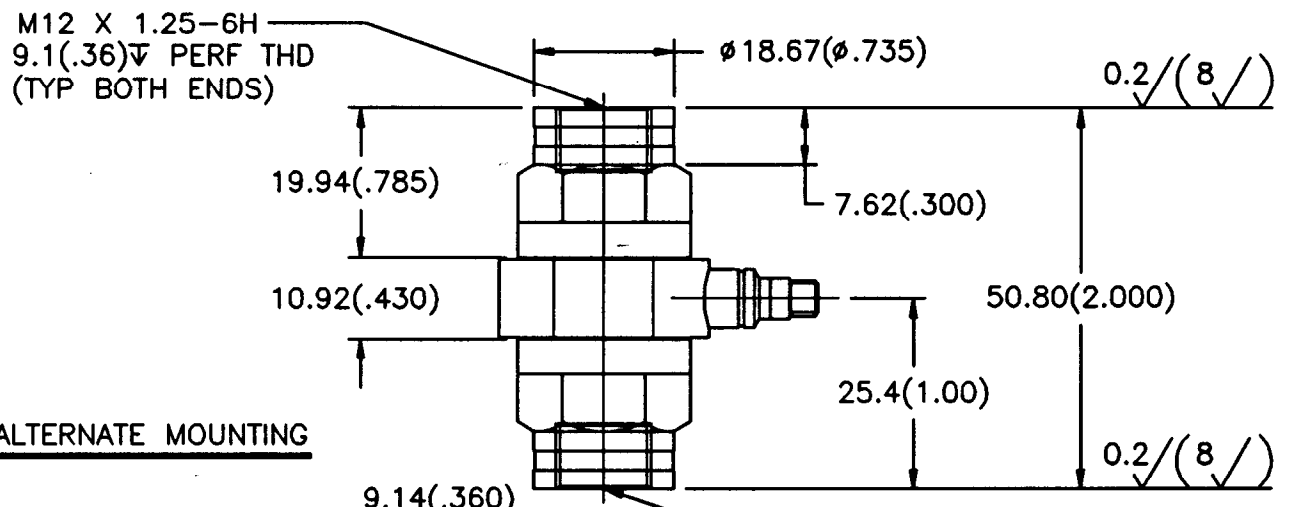
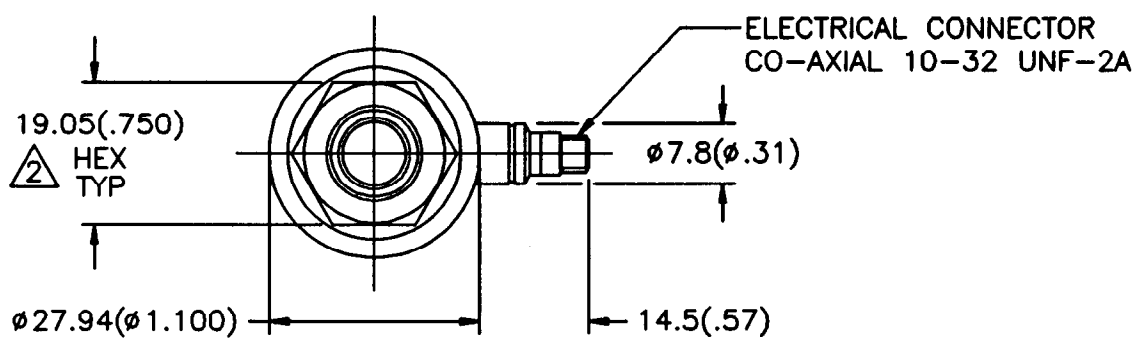
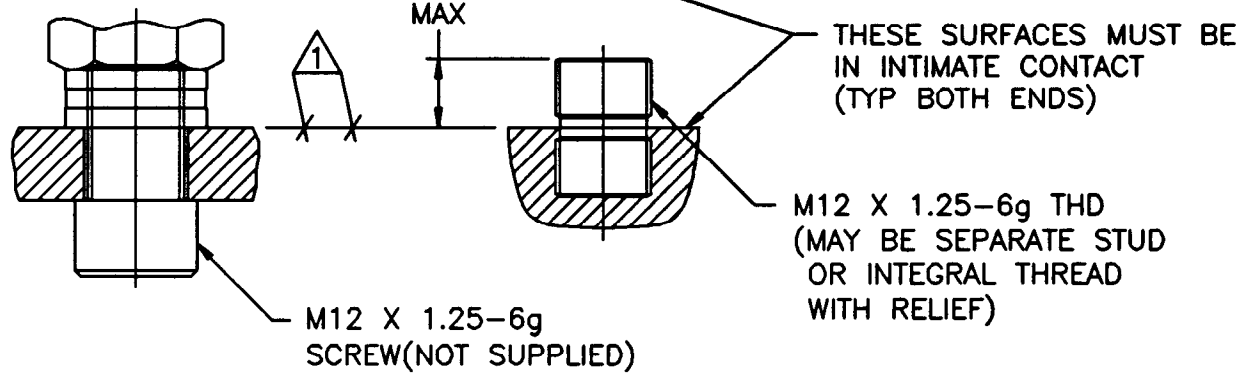


1578

APPLICATION			REVISIONS				
NEXT ASS'Y	USED ON	VAR	REV	DESCRIPTION	ECN	DATE	APP'D



ALTERNATE MOUNTING



- 4.) COMPRESSIVE FORCE RESULTS IN POSITIVE GOING OUTPUT VOLTAGE.
- 3.) EPOXY OR LOCTITE MAY BE USED ON THREADS TO LOCK FORCE LINK IN PLACE.
- \triangle RECOMMENDED MOUNTING TORQUE ON 19.05(.750) HEX, 7-14 NEWTON METERS (5-10 FOOT POUNDS).
- \triangle MOUNTING SURFACE MUST BE FLAT TO WITHIN 0.03(.001) TIR WITH A MIN 1.6/(63) FIN.

UNLESS SPECIFIED TOLERANCES		DRAWN	<i>ZAB</i>	8/18/94	MFG	<i>J.L.</i>	8/18/94	PCB PIEZOTRONICS, INC. 3425 WALDEN AVE. DEPEW, NEW YORK 14043 PHONE: (716) 684-0001
DIMENSIONS IN INCHES (IN PARENTHESIS)	DIMENSIONS IN MILLIMETERS	CHK'D	<i>DM</i>	8/18/94	ENGR	<i>P.M.</i>	8/18/94	
DECIMALS XX \pm .01	DECIMALS X \pm .3	APP'D	<i>[Signature]</i>					
XXX \pm .005	XX \pm .13	TITLE	INSTALLATION DRAWING MODEL M223B HERMETIC SEALED ICP FORCE LINK					
ANGLES \pm 2 DEGREES	ANGLES \pm 2 DEGREES	SCALE: FULL						SHEET 1 OF 1
FILLETS AND RADII 0.07 - 0.13 (.003 - .005)								