

210-2200-90

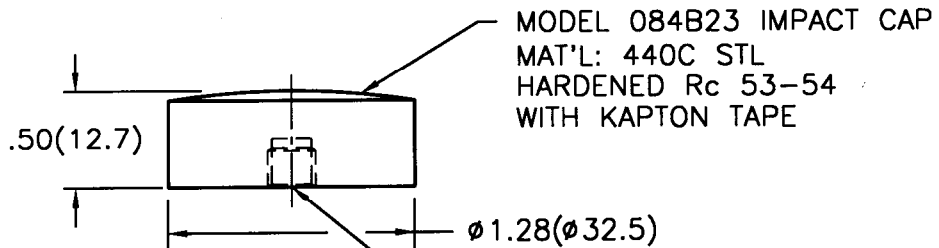
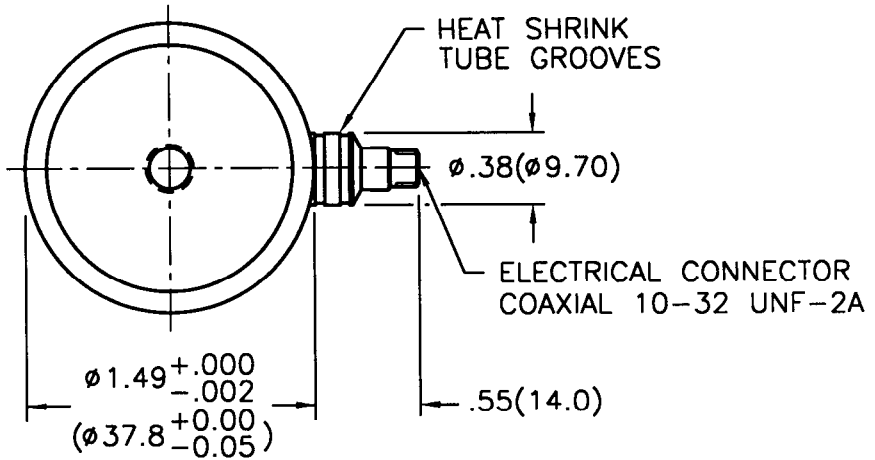
PCB Piezotronics Inc. claims proprietary rights in the information disclosed hereon. Neither it nor any reproduction thereof will be disclosed to others without written consent of PCB Piezotronics Inc.

APPLICATION

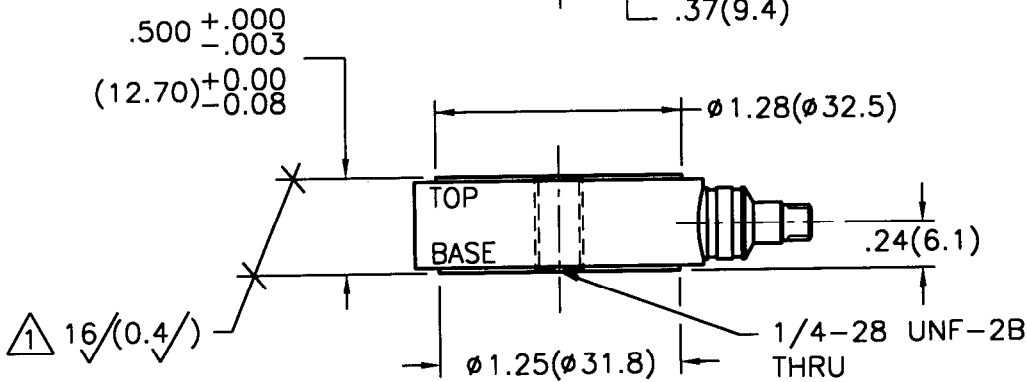
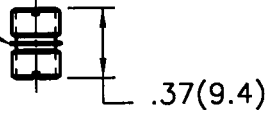
NEXT ASS'Y	USED ON	VAR

REVISIONS

REV	DESCRIPTION	ECN	DATE	APP'D
E	REVISED PER ECN	10285	3/29/99	DM 3/99



MODEL 081B20 MOUNTING STUD 1/4-28 UNF-2A TYPICAL EACH END (SUPPLIED)



⚠ THESE SURFACES TO BE FLAT WITHIN .001(0.03) TIR.

UNLESS SPECIFIED TOLERANCES		DRAWN	MOD	3/31/99	MFG	JBS	4/6/99	<p>3425 WALDEN AVE. DEPEW, NY 14043 (716) 684-0001 EMAIL: SALES@PCB.COM</p>
DIMENSIONS IN INCHES	DIMENSIONS IN MILLIMETERS (IN PARENTHESIS)	CHK'D	DM	3/31/99	ENGR	ZAL	4/5/99	
DECIMALS XX ±.01 XXX ±.005	DECIMALS XX ±0.3 XXX ±0.13	APP'D	PL	4/8/99	Sales	RRR	4/9/99	
ANGLES ±2 DEGREES	ANGLES ±2 DEGREES	TITLE		INSTALLATION DRAWING		CODE IDENT. NO.	DWG. NO.	
FILLET AND RADII .003 - .005	FILLET AND RADII (0.07 - 0.13)			MODEL 210B20 IMPACT SENSOR		210-2200-90	210-2200-90	
DD011 REV. B 03/13/98						SCALE: FULL	SHEET 1 OF 2	

210-2200-90

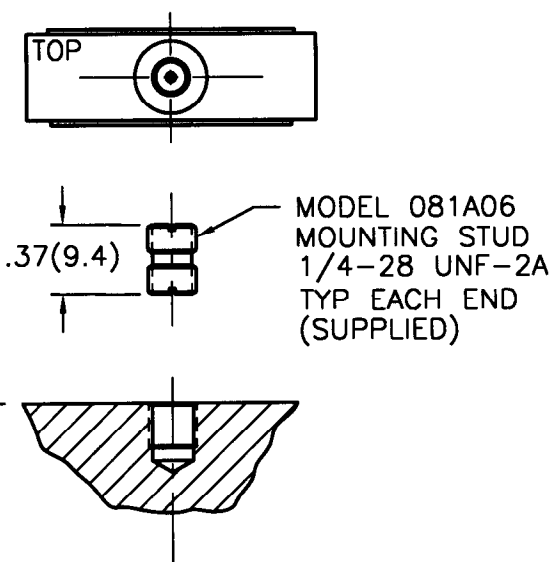
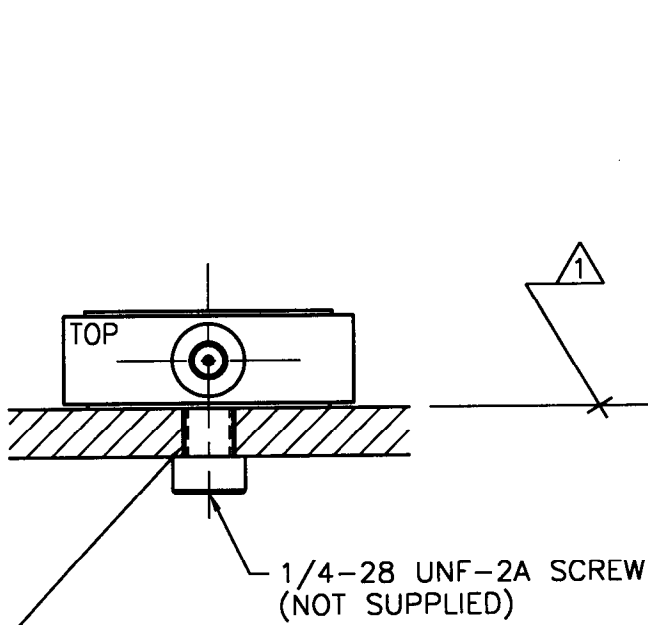
PCB Piezotronics Inc. claims proprietary rights in the information disclosed hereon. Neither it nor any reproduction thereof will be disclosed to others without written consent of PCB Piezotronics Inc.

APPLICATION		
NEXT ASS'Y	USED ON	VAR

REVISIONS				
REV	DESCRIPTION	ECN	DATE	APP'D
	-SEE SHEET ONE-			

TYPICAL SCREW MOUNTING INSTALLATION

TYPICAL STUD MOUNTING INSTALLATION



CLEARANCE HOLE $\triangle 2$
FOR 1/4-28 SCREW

MOUNTING HOLE PREPARATION

DRILL $\phi .213(\phi 5.41)$ $\triangle 2$
X $.300(7.62)$ ∇
TAP 1/4-28 UNF-2B
X $.225(5.71)$ ∇
MIN PERFECT THREAD

- 3.) TIGHTEN CELL IN PLACE TORQUING BY HAND ONLY. USE LOCTITE OR EQUIVALENT TO LOCK IN PLACE.
- $\triangle 2$ DRILL PERPENDICULAR TO MOUNTING SURFACE WITHIN $\pm 1^\circ$.
- $\triangle 1$ MOUNTING SURFACE UNDER LOAD CELL TO BE FLAT WITHIN $.001(0.03)$ TIR WITH A MINIMUM $63\sqrt{(1.6\sqrt{\quad})}$ FINISH.

UNLESS SPECIFIED TOLERANCES		DRAWN	MDD	3/31/99	MFG	JBS	4/6/99	 3425 WALDEN AVE. DEPEW, NY 14043 (716) 684-0001 EMAIL: SALES@PCB.COM
DIMENSIONS IN INCHES	DIMENSIONS IN MILLIMETERS (IN PARENTHESIS)	CHK'D	SYM	3/31/99	ENGR	ZAB	4/5/99	
DECIMALS XX $\pm .01$ XXX $\pm .005$	DECIMALS XX ± 0.3 XXX ± 0.13	APP'D	PL	4/8/99	SALES	ERR	4/9/99	CODE IDENT. NO. 52681
ANGLES ± 2 DEGREES	ANGLES ± 2 DEGREES	TITLE						DWG. NO.
FILLETS AND RADII .003 - .005	FILLETS AND RADII (0.07 - 0.13)	INSTALLATION DRAWING MODEL 210B20 IMPACT SENSOR						210-2200-90
DD011 REV. B 03/13/98								SCALE: FULL SHEET 2 OF 2