

2

1

APPLICATION

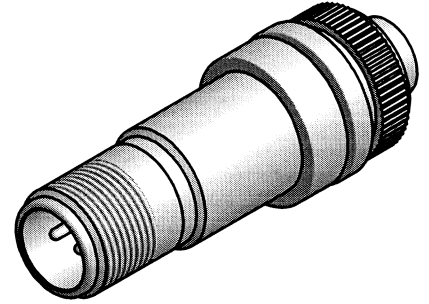
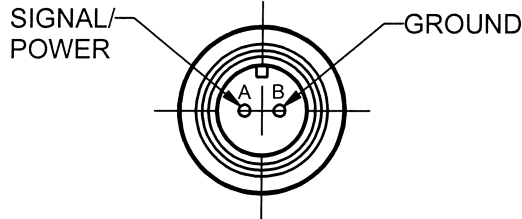
REVISIONS

NEXT ASSY	USED ON	VAR

REV	DESCRIPTION	ECN	APP'D
NR	RELEASED TO DRAFTING		DM 4/09

25750

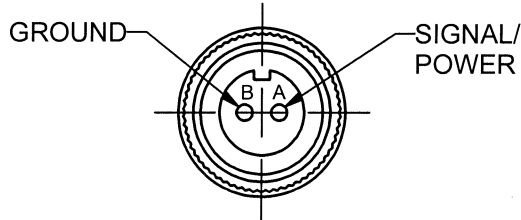
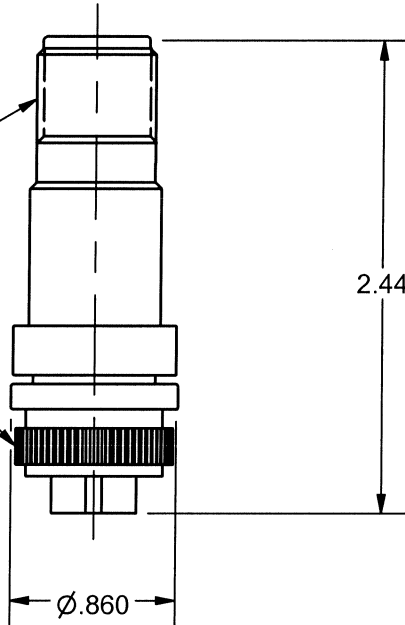
TOP VIEW OF FILTER (FOR PINOUTS)



PCB Piezotronics Inc. claims proprietary rights in the information disclosed hereon. Neither it nor any reproduction thereof will be disclosed to others without the written consent of PCB Piezotronics Inc.

ELECTRICAL CONNECTOR
5/8-24 UNEF-2B
2-PIN (MIL-C-5015)

ELECTRICAL CONNECTOR
5/8-24 UNEF-2A
2-PLUG (MIL-3106 TYPE)



BOTTOM VIEW OF FILTER (FOR PINOUTS)

UNLESS OTHERWISE SPECIFIED TOLERANCES ARE:

DIMENSIONS IN INCHES	DIMENSIONS IN MILLIMETERS [IN BRACKETS]
DECIMALS XX ± .01	DECIMALS X ± 0.3
XXX ± .005	XX ± 0.13
ANGLES ± 2 DEGREES	ANGLES ± 2 DEGREES

DRAWN	MNS 4/15/04	MFG	P.L. 4/15/04
CHK'D	DM 4/15/04	ENGR	MJE 4/15/04
APP'D	Dr 4/14/04	SALES	DA 4/14/04

PCB PIEZOTRONICS^{INC}
3425 WALDEN AVE. DEPEW, NY 14043
(716) 684-0001 E-MAIL: sales@pcb.com

TITLE
RF PROTECTION ADAPTOR

CODE IDENT. NO. 52681	DWG. NO. 25750
SCALE: FULL	SHEET 1 OF 1

2

1

1