

25757

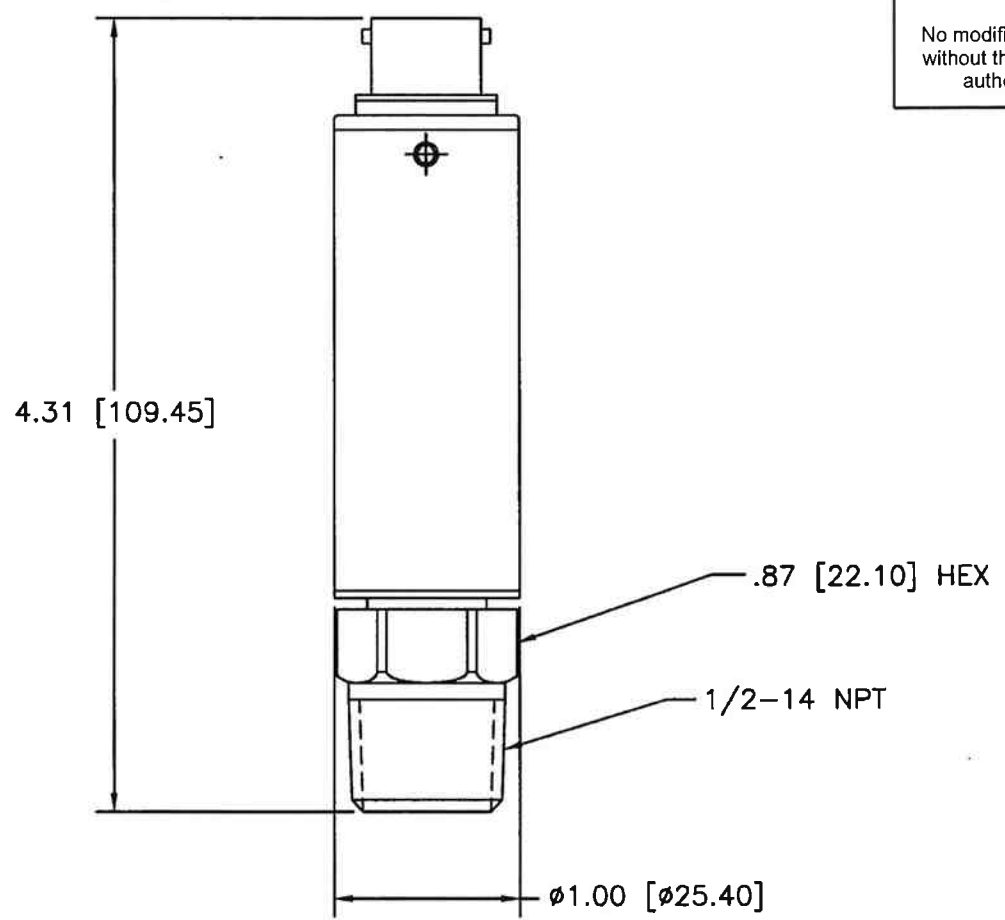
PCB Piezotronics Inc. claims proprietary rights in the information disclosed herein. Neither it, nor any reproduction thereof will be disclosed to others without written consent of PCB Piezotronics Inc.

APPLICATION		
NEXT ASS'Y	USED ON	VAR

REVISIONS				
REV	DESCRIPTION	ECN	DATE	APP'D
A	REVISED PER ECN	21010	11/11/04	<i>dm</i>

**Related Drawing**

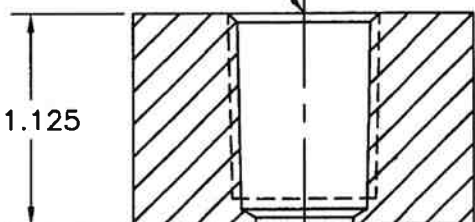
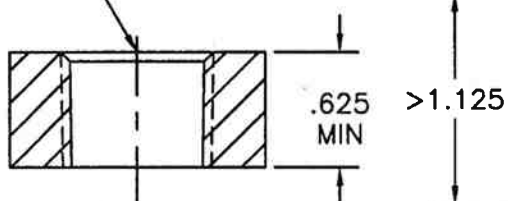
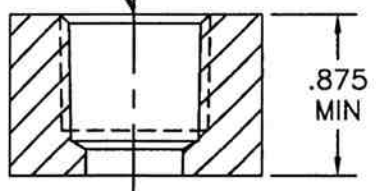
No modifications permitted without the approval of the authorized person



Ø.531 THRU  
Ø.703  
X .70<sup>+01</sup><sub>-00</sub> ▽  
TAP 1/2-14 NPT  
∇ 45° TO Ø.850

Ø.703 THRU  
TAP 1/2-14 NPT  
∇ 45° TO Ø.850

Ø.531 THRU  
Ø.703  
X .70<sup>+01</sup><sub>-00</sub> ▽  
TAP 1/2-14 NPT  
∇ 45° TO Ø.850



MODIFIED TAP INSTALLATION

UNLESS SPECIFIED TOLERANCES		DRAWN	<i>mde</i>	11/11/04	MFG	<i>P.R.R.</i>	11-15-04	<p>3425 WALDEN AVE. DEPEW, NY 14043 (716) 684-0001 EMAIL: SALES@PCB.COM</p>
DIMENSIONS IN INCHES	DIMENSIONS IN MILLIMETERS (IN BRACKETS)	CHK'D	<i>dm</i>	11/12/04	ENGR	<i>SM</i>	11/12/04	
DECIMALS XX ±.01	DECIMALS X ±0.3	APP'D	<i>JJD</i>	11/15/04	SALES	<i>DC</i>	11/12/04	CODE IDENT. NO. 52681
XXX ±.005	XX ±0.13	TITLE						DWG. NO.
ANGLES ±2 DEGREES	ANGLES ±2 DEGREES	INSTALLATION DRAWING						25757
FILLETS AND RADII .003 - .005	FILLETS AND RADII [0.07 - 0.13]	1500 SERIES						SCALE: FULL   SHEET 1 OF 1
DD011 REV. C 01/21/03		DC PRESSURE SENSOR						