

34367

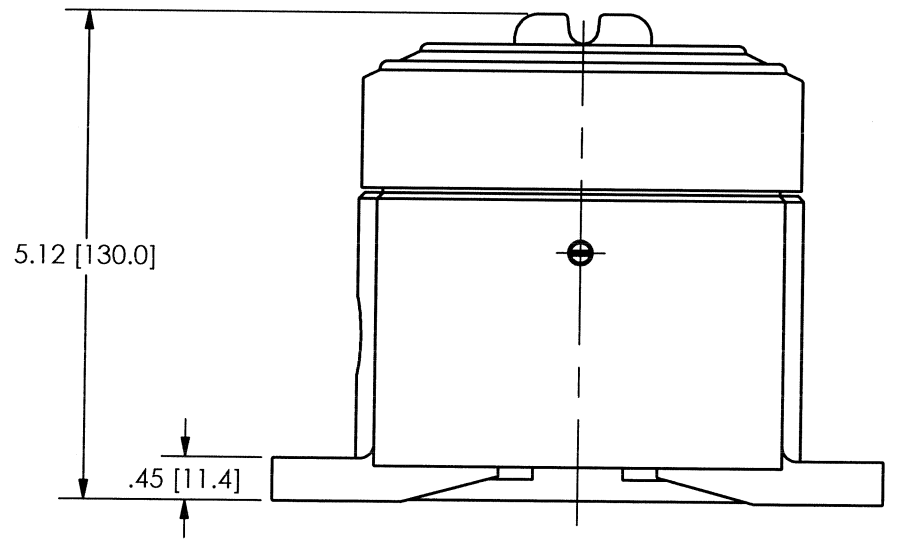
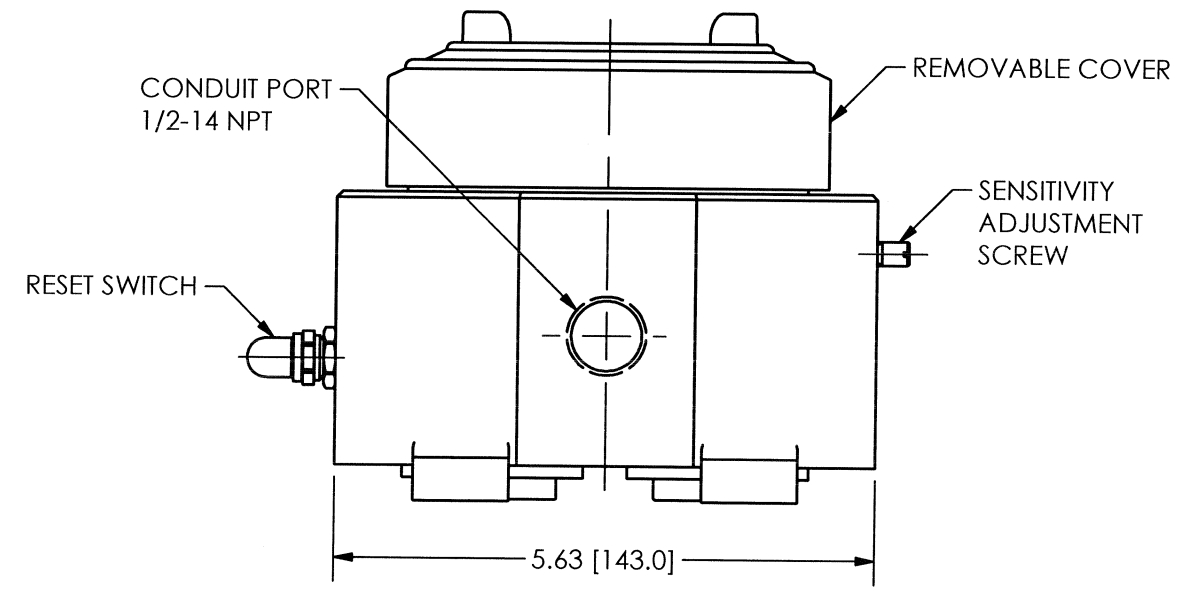
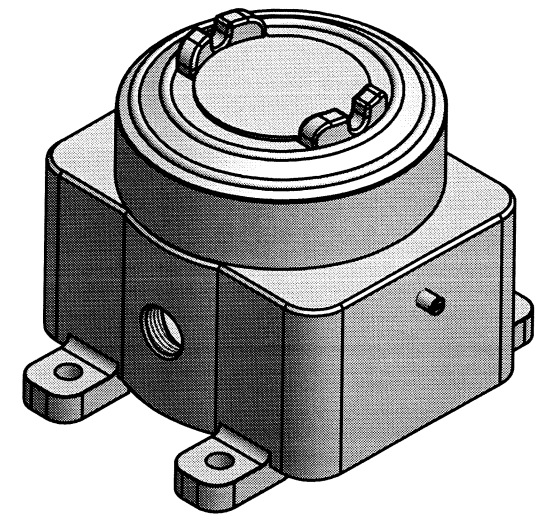
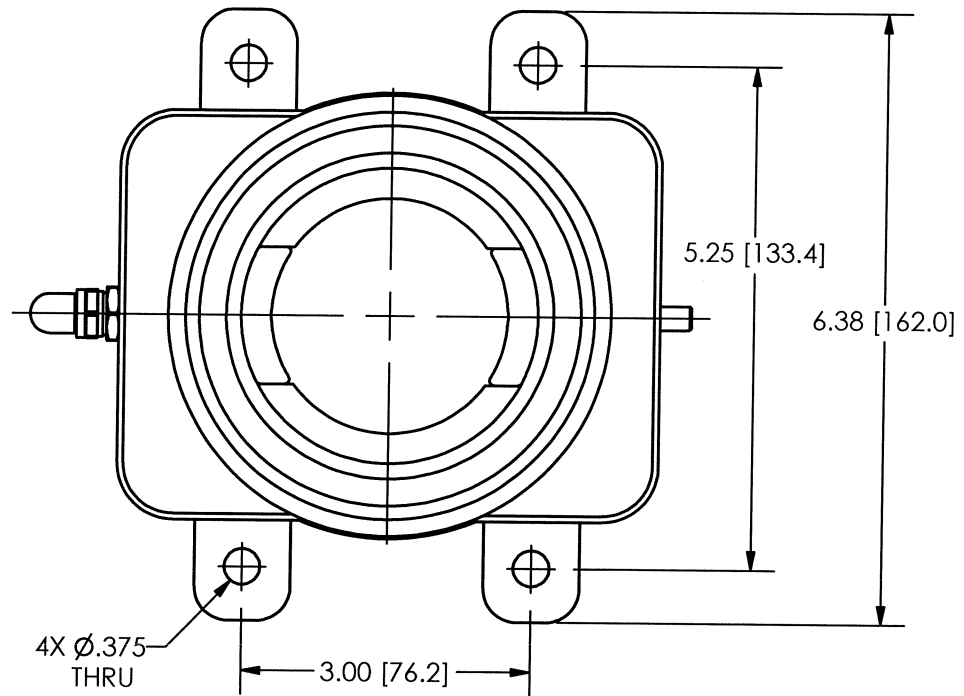
PCB Piezotronics Inc. claims proprietary rights in the information disclosed hereon. Neither it nor any reproduction thereof will be disclosed to others without the written consent of PCB Piezotronics Inc.

APPLICATION

NEXT ASS'Y	USED ON	VAR

REVISIONS

REV	DESCRIPTION	ECN	APP'D
NR	RELEASED TO DRAFTING		ECB 11/2/06



UNLESS OTHERWISE SPECIFIED TOLERANCES ARE:		DRAWN	CHK'D	APP'D	MFG	ENGR	SALES	PCB PIEZOTRONICS™	
DIMENSIONS IN INCHES	DIMENSIONS IN MILLIMETERS [IN BRACKETS]	<i>mm</i>	<i>ECB</i>	<i>mm</i>	<i>11/3/06</i>	<i>LAB</i>	<i>11/2/06</i>	3425 WALDEN AVE. DEPEW, NY 14043	
DECIMALS XX ± .03	DECIMALS X ± 0.8							(716) 684-0001 E-MAIL: sales@pcb.com	
XXX ± .010	XX ± 0.25							CODE IDENT. NO. 52681	DWG. NO. 34367
ANGLES ± 2 DEGREES	ANGLES ± 2 DEGREES							SCALE: .5X	SHEET 1 OF 1
FILLETS AND RADII .003 - .005	FILLETS AND RADII [0.07 - 0.13]	TITLE			OUTLINE DRAWING MODEL 685AX8 SERIES MECHANICAL VIBRATION SWITCH				