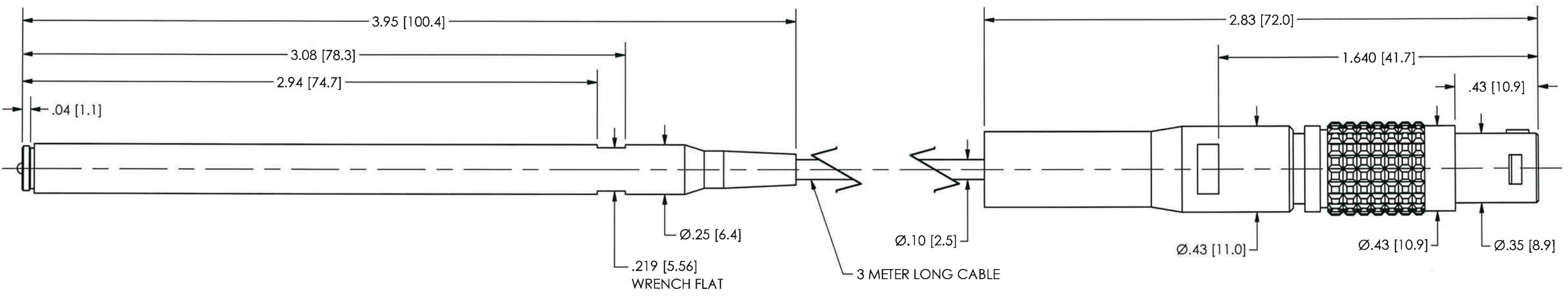
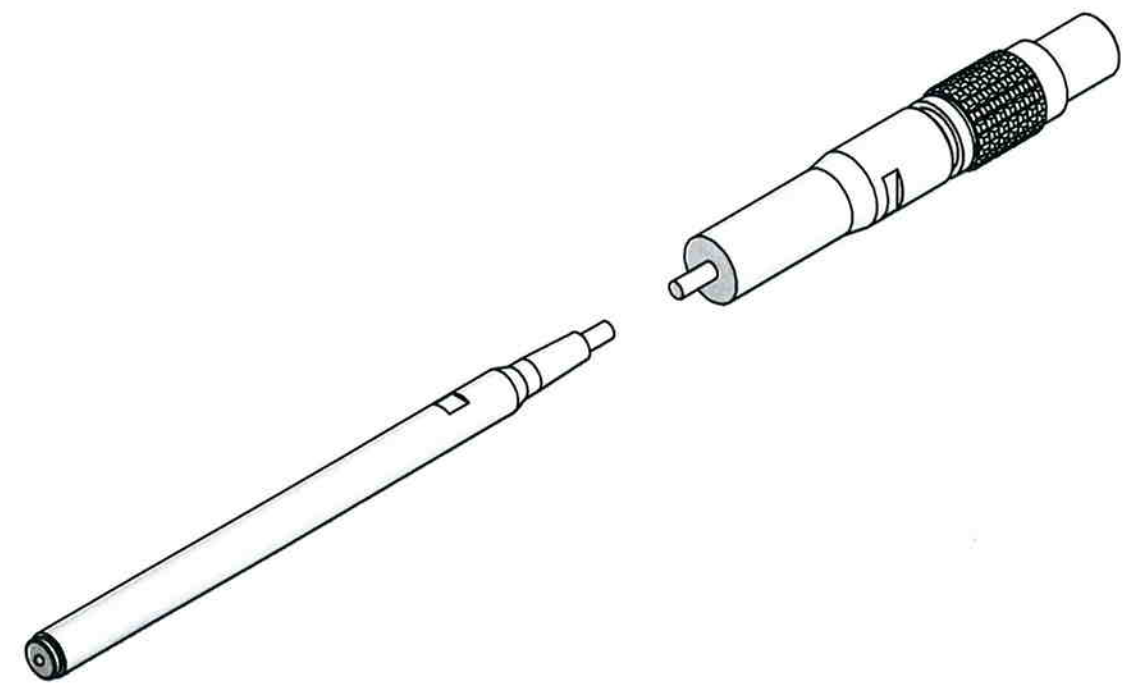


PCB Piezotronics Inc. claims proprietary rights in the information disclosed hereon. Neither it nor any reproduction thereof will be disclosed to others without the written consent of PCB Piezotronics Inc.

38545

REVISIONS			
REV	DESCRIPTION	ECN	APP'D
NR	RELEASED TO DRAFTING		ES 6/08



UNLESS OTHERWISE SPECIFIED TOLERANCES ARE:		DRAWN <i>DRM</i> 6/5/08 MFG <i>RYD</i> 6/16/08 CHK'D <i>ES</i> 6/13/08 ENGR <i>CC</i> 6/16/08 APP'D <i>ES</i> 6/18/08 SALES <i>MSV</i> 6/19/08	PCB PIEZOTRONICS 3425 WALDEN AVE. DEPEW, NY 14043 (716) 684-0001 E-MAIL: sales@pcb.com
DIMENSIONS IN INCHES DECIMALS XX ± .03 XXX ± .010 ANGLES ± 2 DEGREES	DIMENSIONS IN MILLIMETERS [IN BRACKETS] DECIMALS X ± 0.8 XX ± 0.25 ANGLES ± 2 DEGREES	TITLE OUTLINE DRAWING MODEL 426B31 1/4" MICROPHONE PREAMPLIFIER	CODE IDENT. NO. 52681 DWG. NO. 38545 SCALE: 2X SHEET 1 OF 1