

PCB Piezotronics Inc. claims proprietary rights in the information disclosed hereon. Neither it nor any reproduction thereof will be disclosed to others without the written consent of PCB Piezotronics Inc.

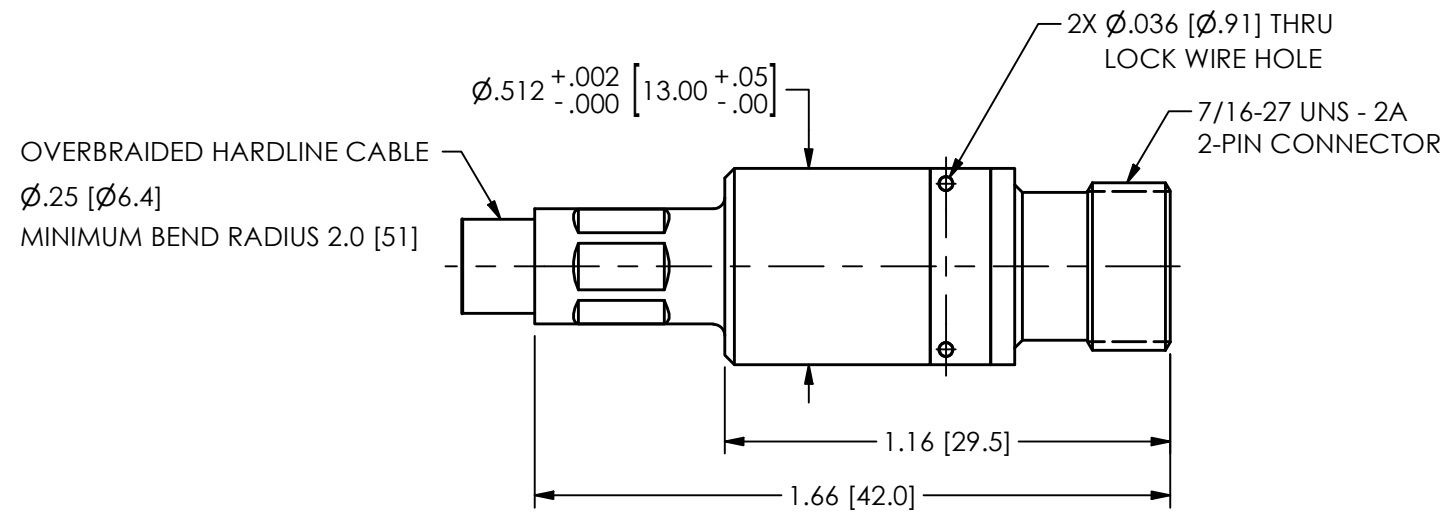
RELATED DRAWING

NO MODIFICATIONS PERMITTED WITHOUT THE APPROVAL OF THE AUTHORIZED PERSON

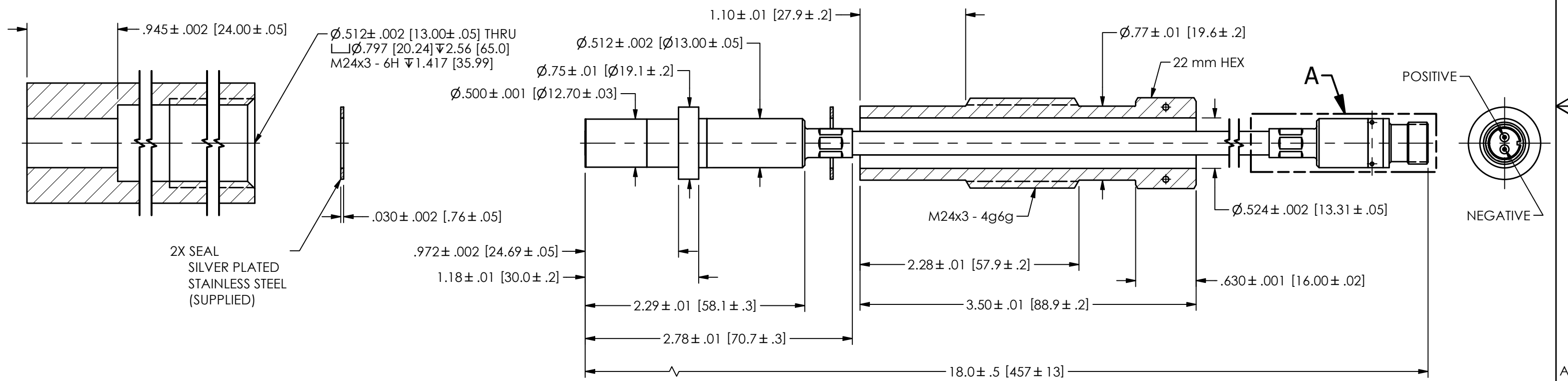
40201

REVISIONS

REV	DESCRIPTION	DIN
G	UPDATED CABLE DESCRIPTION	55797



DETAIL A
SCALE 2X



1.) MOUNTING TORQUE: 15-20 LB-FT [20-27 Nm]

UNLESS OTHERWISE SPECIFIED TOLERANCES ARE:		DRAWN		CHECKED		ENGINEER		PCB PIEZOTRONICS		
DIMENSIONS IN INCHES		AME	6/5/25	JDM	6/5/25	JD	6/5/25	AN AMPHENOL COMPANY		
DECIMALS XX ± .01 XXX ± .005		TITLE						3425 WALDEN AVE. DEPEW, NY 14043		
ANGLES ± 2 DEGREES		INSTALLATION DRAWING						(716) 684-0001 E-MAIL: sales@pcb.com		
CABLE TOLERANCES IN ENGLISH		MODEL 176M09						CODE IDENT. NO.	SIZE	DWG. NO.
1" ≤ LENGTH < 1' = +1' / - 0		PRESSURE SENSOR						52681	B	40201
1' ≤ LENGTH < 5' = +2" / - 0								SCALE:	FULL	SHEET 1 OF 1
5' ≤ LENGTH < 100' = +6" / - 0										
100' ≤ LENGTH = +1' / - 0										
FILLETS AND RADII .003 - .005										
DIMENSIONS IN MILLIMETERS [IN BRACKETS]										
DECIMALS X ± 0.3 XX ± 0.13										
ANGLES ± 2 DEGREES										
CABLE TOLERANCES IN METRIC										
2.54cm ≤ LENGTH < 30.5cm = +2.54cm / - 0										
30.5cm ≤ LENGTH < 1.5m = +5.1cm / - 0										
1.5m ≤ LENGTH < 30.5m = +15.2cm / - 0										
30.5m ≤ LENGTH = +30.5cm / - 0										
FILLETS AND RADII 0.07 - 0.13										