

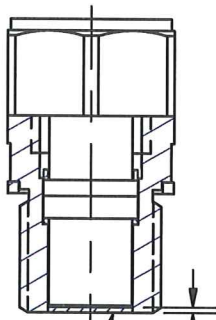
PCB Piezotronics Inc. claims proprietary rights in the information disclosed herein. Neither it nor any reproduction thereof will be disclosed to others without the written consent of PCB Piezotronics Inc.

REVISIONS		
REV	DESCRIPTION	DIN
B	CHANGED DIMENSIONS	34975

40707

ELECTRICAL CONNECTOR  
10-32 THREAD

DETAIL "A"  
ABLATIVE INSTALLATION



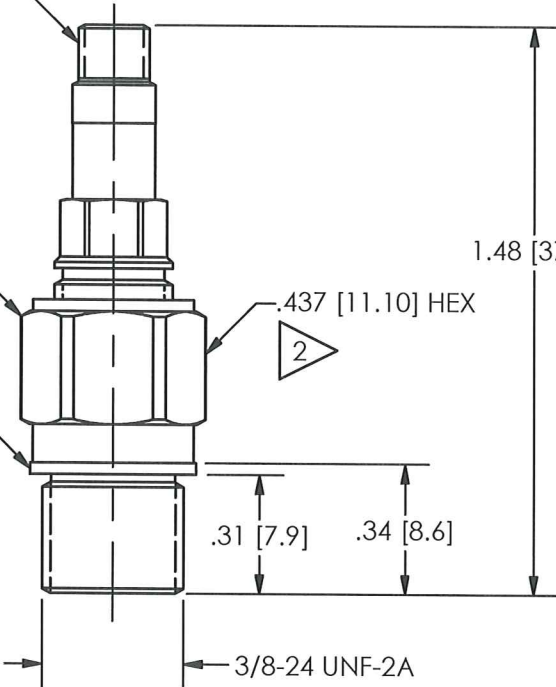
ABLATIVE COATING

.0175 ± .0025 [ .445 ± .064 ]



MODEL 061A  
SERIES  
ADAPTOR BODY  
MATERIAL: 17-4PH

MODEL 065A03  
BRASS SEAL



1.48 [37.7]

.437 [11.10] HEX



.31 [7.9]

.34 [8.6]

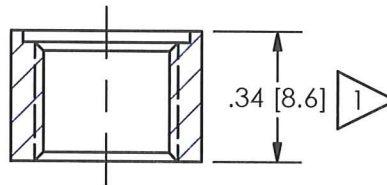
3/8-24 UNF-2A

MOUNTING HOLE PREPARATION

Ø.339 [8.61] THRU

└─┬─┘ Ø.438 ±.001 [11.13 ±.03] ▽ .030 [.76]

3/8-24 UNF-2B THRU



MOUNTING HOLE DETAIL

.34 [8.6]



MODEL 065M29 ST STL SEAL AVAILABLE.



BLACK VINYL ELECTRICIANS TAPE HAS BEEN FOUND TO BE AN EFFECTIVE ABLATIVE MATERIAL, AS IS DC-4 SILICON GREASE.



"CA" OPTION ONLY.



MOUNTING TORQUE ON 7/16 HEX: 5 - 8 FT LBS [6.78 - 10.85 NM].



ABOVE INSTALLATION SHOWN FOR WALL THICKNESS OF .34 [8.6] THICK. └─┬─┘ THICKER WALLS Ø.75 [19.0] TO CLEAR .437 [11.10] HEX AND ALLOW FOR SOCKET WRENCH.

UNLESS OTHERWISE SPECIFIED TOLERANCES ARE:

DIMENSIONS IN INCHES

DECIMALS XX ±.01  
XXX ±.005

ANGLES ± 2 DEGREES

FILLETS AND RADII  
.003 - .005

DIMENSIONS IN MILLIMETERS  
[ IN BRACKETS ]

DECIMALS X ± 0.3  
XX ± 0.13

ANGLES ± 2 DEGREES

FILLETS AND RADII  
0.07 - 0.13

DRAWN

SMB 2/25/11

CHECKED

ECB 3/2/11

ENGINEER

MJK 2/25/11

TITLE

INSTALLATION DRAWING  
MODEL 102B SERIES  
PRESSURE SENSOR

**PCB PIEZOTRONICS**™

3425 WALDEN AVE. DEPEW, NY 14043  
(716) 684-0001 E-MAIL: sales@pcb.com

CODE IDENT. NO.  
52681

DWG. NO.

40707

SCALE: 2X

SHEET 1 OF 1