

2

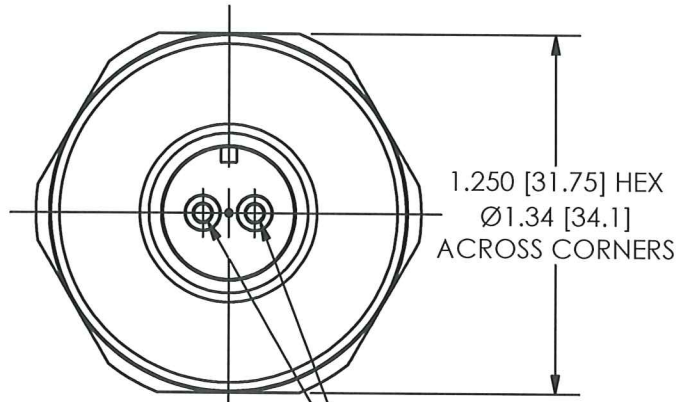
1

PCB Piezotronics Inc. claims proprietary rights in the information disclosed herein. Neither it nor any reproduction thereof will be disclosed to others without the written consent of PCB Piezotronics Inc.

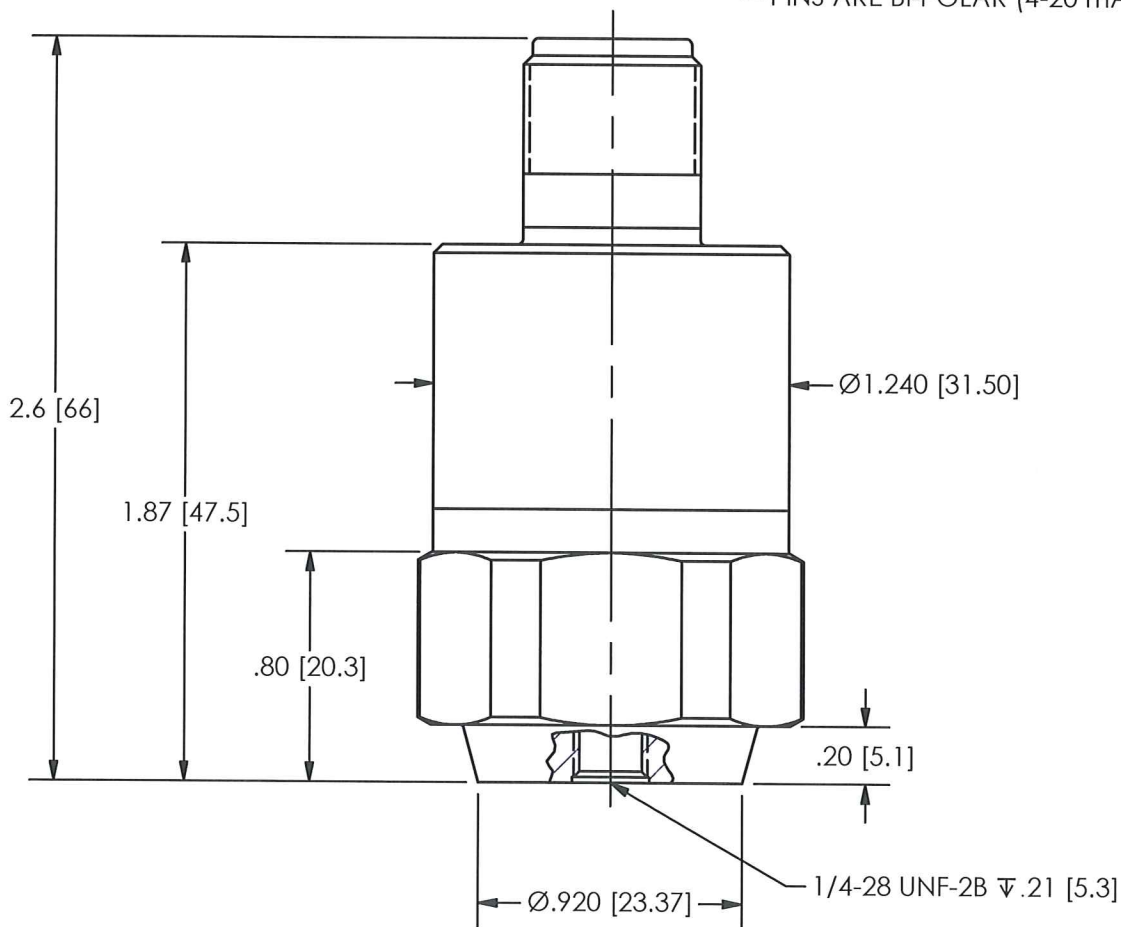
REVISIONS

REV	DESCRIPTION	DIN
A	REMOVE FIELD NOTE & "PRELIMINARY" IN TITLE BLOCK	34833

43143



PINS ARE BI-POLAR (4-20 mA)



UNLESS OTHERWISE SPECIFIED TOLERANCES ARE:

DIMENSIONS IN INCHES

DECIMALS XX ±.03
XXX ±.010

ANGLES ± 2 DEGREES

FILLETS AND RADII
.003 - .005

DIMENSIONS IN MILLIMETERS
[IN BRACKETS]

DECIMALS X ± 0.8
XX ± 0.25

ANGLES ± 2 DEGREES

FILLETS AND RADII
0.07 - 0.13

DRAWN

MDJ YL/11

CHECKED

ECB 24/11

ENGINEER

LAB 1/21/11

TITLE

OUTLINE DRAWING
MODEL 653A01
DISPLACEMENT SENSOR

PCB PIEZOTRONICS INC

3425 WALDEN AVE. DEPEW, NY 14043
(716) 684-0001 E-MAIL: sales@pcb.com

CODE IDENT. NO.
52681

DWG. NO.

43143

SCALE: 1.5X

SHEET 1 OF 1

2

1