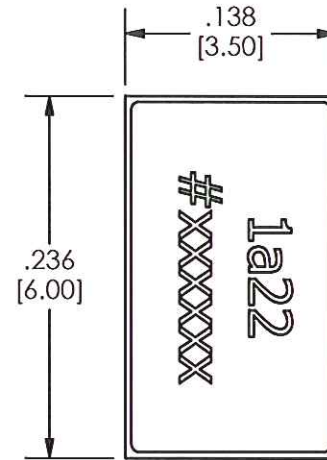
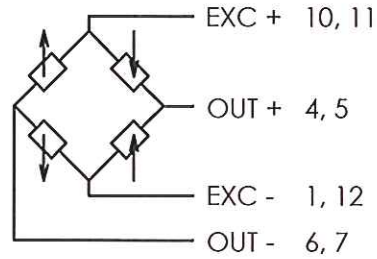


PCB Piezotronics Inc. claims proprietary rights in the information disclosed hereon. Neither it nor any reproduction thereof will be disclosed to others without the written consent of PCB Piezotronics Inc.

43207

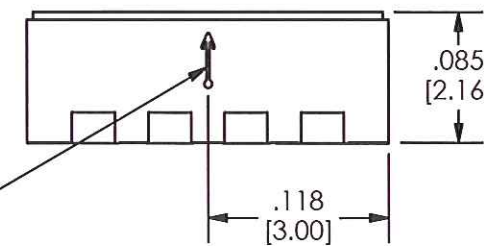
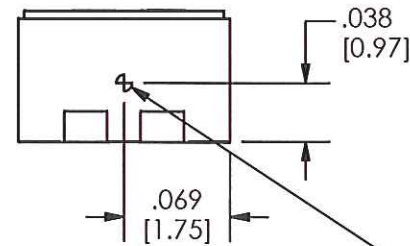
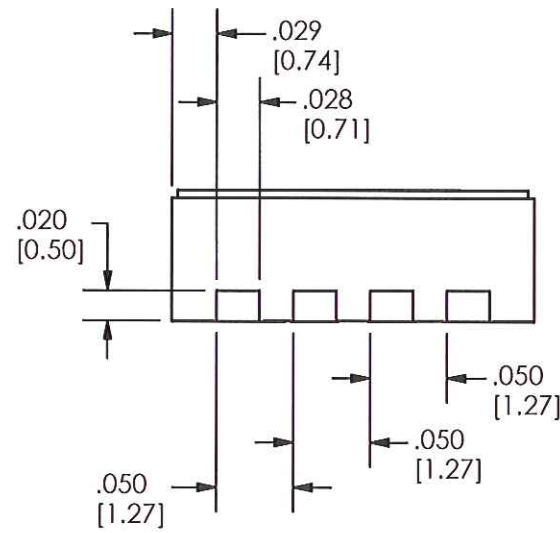


ESD SENSITIVE
CLASS 2 HANDLING REQUIRED

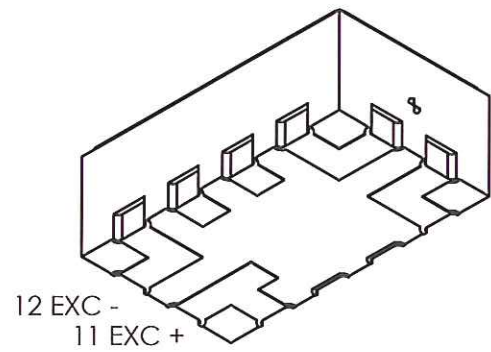
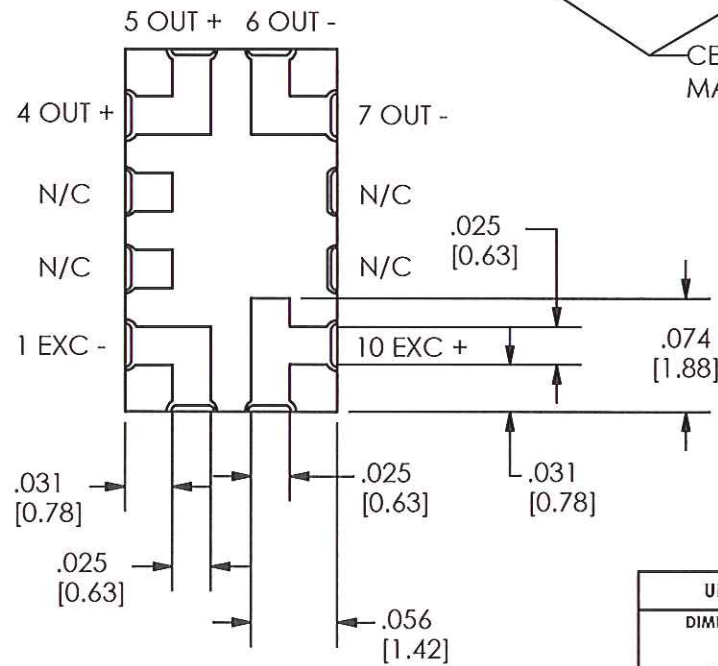


ABBREVIATED
MODEL NUMBER
REFERS TO
3501A2020KG

DIRECTION OF ARROW
DEPICTS ACCELERATION
CAUSING POSITIVE OUTPUT



CENTER OF SENSITIVITY IS LOCATED BY THIS
MARK AND BY THE BASE OF THE ARROW



REVISIONS		
REV	DESCRIPTION	DIN
A	.050 DIMENSION SHOULD BE .056	34654

UNLESS OTHERWISE SPECIFIED TOLERANCES ARE:		DRAWN	CHECKED	ENGINEER	
DIMENSIONS IN INCHES	DIMENSIONS IN MILLIMETERS [IN BRACKETS]	MDJ	FCB	BJI	12/23/10
DECIMALS XX ±.03 XXX ±.010	DECIMALS X ±.08 XX ±.25	TITLE			
ANGLES ± 2 DEGREES	ANGLES ± 2 DEGREES	OUTLINE DRAWING 3501A2020KG SHOCK SERIES SURFACE MOUNT			
FILLETS AND RADII .003 - .005	FILLETS AND RADII 0.07 - 0.13	CODE IDENT. NO. 52681		DWG. NO. 43207	
		SCALE: FULL		SHEET 1 OF 1	

PCB PIEZOTRONICS
3425 WALDEN AVE. DEPEW, NY 14043
(716) 684-0001 E-MAIL: sales@pcb.com