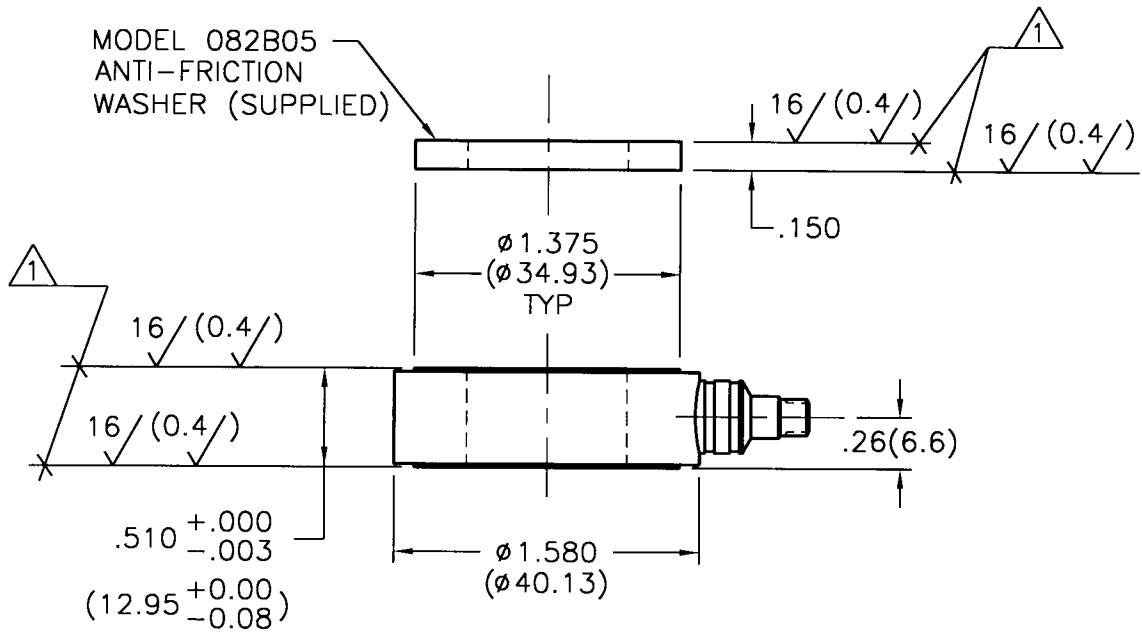
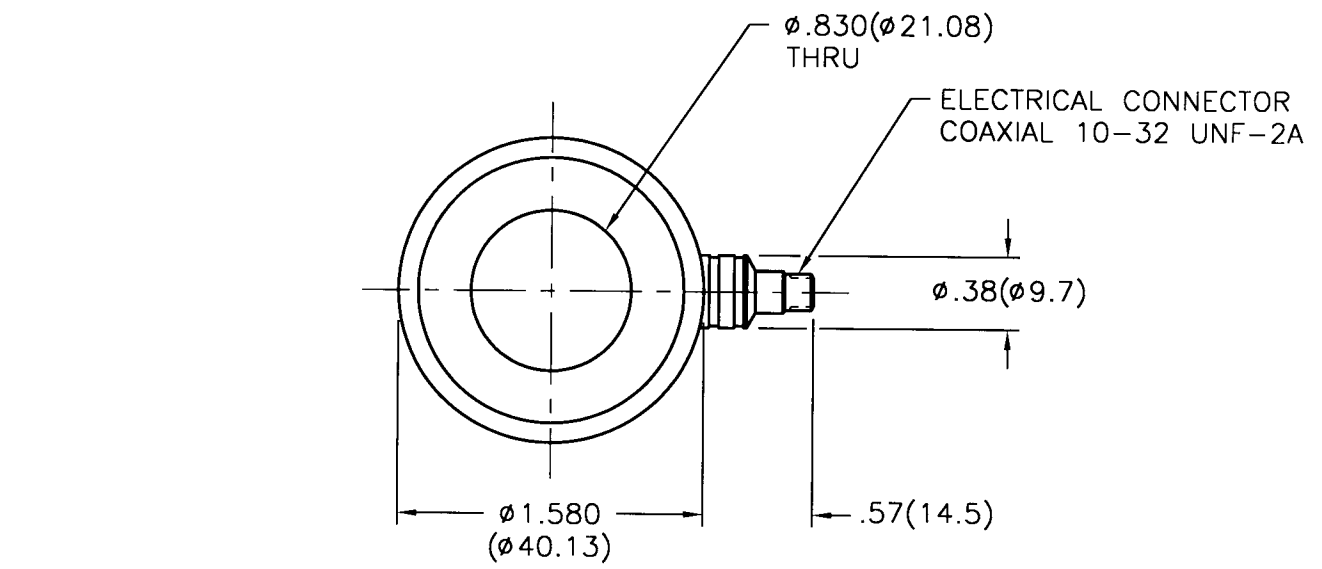


5601

PCB Piezotronics Inc. claims proprietary rights in the information disclosed hereon. Neither it nor any reproduction thereof will be disclosed to others without written consent of PCB Piezotronics Inc.

APPLICATION			REVISIONS				
NEXT ASS'Y	USED ON	VAR	REV	DESCRIPTION	ECN	DATE	APP'D



- 3.) SEE SHEET 2 OF 2 FOR MOUNTING HOLE PREPARATION.
- 2.) SEE MANUAL FOR PRELOAD INSTRUCTIONS.
- $\triangle 1$  THESE SURFACES FLAT WITHIN  $.001$  ( $0.03$ ) TIR.

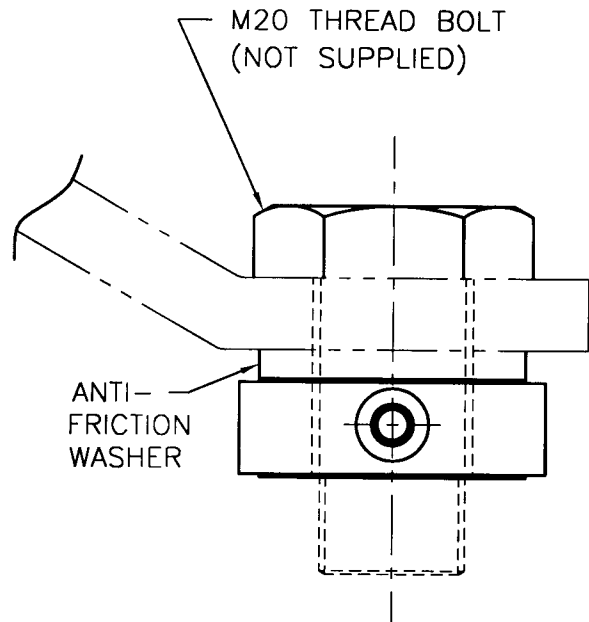
UNLESS SPECIFIED TOLERANCES		DRAWN				MFG		PCB	PIEZOTRONICS, INC.	
DIMENSIONS IN INCHES	DIMENSIONS IN MILLIMETERS (IN PARENTHESIS)								3425 WALDEN AVE. DEPEW, NEW YORK 14043	PHONE: (716) 684-0001
DECIMALS XX $\pm .01$ XXX $\pm .005$	DECIMALS XX $\pm 0.3$ XXX $\pm 0.13$	CHK'D								
ANGLES $\pm 2$ DEGREES	ANGLES $\pm 2$ DEGREES	APP'D								
FILLETS AND RADII .003 - .005	FILLETS AND RADII (0.07 - 0.13)	TITLE				INSTALLATION DRAWING MODEL M205C FORCE RING		CODE IDENT. NO. 52681	DWG. NO. 5601	
DD011 REV. A 05/26/95								SCALE: FULL	SHEET 1 OF 2	

5601

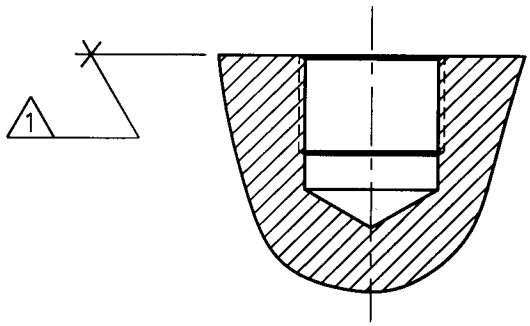
PCB Piezotronics Inc. claims proprietary rights in the information disclosed hereon. Neither it nor any reproduction thereof will be disclosed to others without written consent of PCB Piezotronics Inc.

APPLICATION		
NEXT ASS'Y	USED ON	VAR

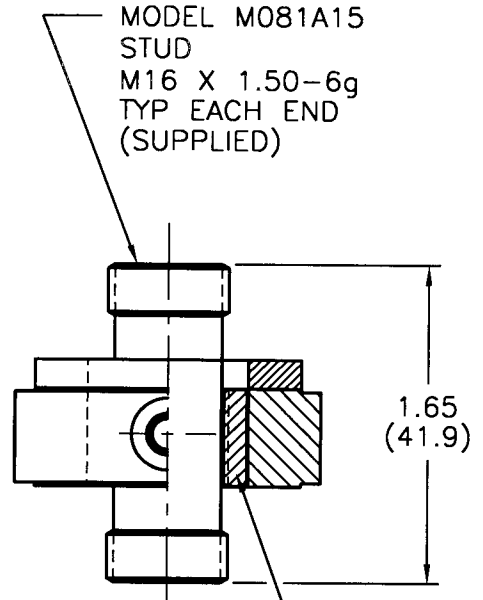
REVISIONS				
REV	DESCRIPTION	ECN	DATE	APP'D
	- SEE SHEET ONE -			



DRILL & TAP AS REQUIRED FOR M20 THREAD BOLT  $\triangle 2$

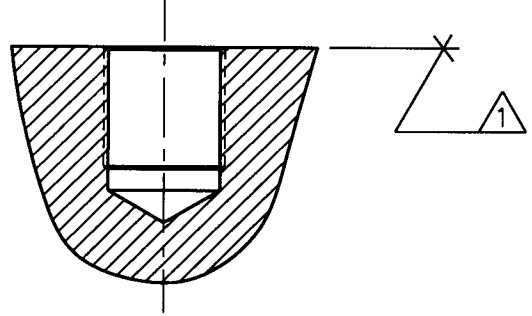


TYPICAL BOLT MOUNTING INSTALLATION



MODEL M083B05 PILOT BUSHING (SUPPLIED)

DRILL  $\phi .571(\phi 14.50)$   $\triangle 2$   
 X .75(19.0)  $\nabla$  MIN  
 TAP M16 X 1.5-6H  
 X .62(15.8)  $\nabla$  MIN PERF THD



TYPICAL STUD MOUNTING INSTALLATION

- $\triangle 2$  DRILL PERPENDICULAR TO MOUNTING SURFACE TO WITHIN  $\pm 1^\circ$ .
- $\triangle 1$  MOUNTING SURFACE UNDER FORCE RING MUST BE FLAT WITHIN .001(0.03) TIR WITH A MINIMUM  $63\sqrt{(1.6)}$ .

UNLESS SPECIFIED TOLERANCES		DRAWN		MFG		<b>PCB</b> PIEZOTRONICS, INC. 3425 WALDEN AVE. DEPEW, NEW YORK 14043 PHONE: (716) 684-0001
DIMENSIONS IN INCHES	DIMENSIONS IN MILLIMETERS (IN PARENTHESIS)	CHK'D	ENGR	DATE	DATE	
DECIMALS XX $\pm$ .01 XXX $\pm$ .005	DECIMALS XX $\pm$ 0.3 XXX $\pm$ 0.13	APP'D	SEC	DATE	DATE	
ANGLES $\pm 2$ DEGREES	ANGLES $\pm 2$ DEGREES	TITLE		CODE IDENT. NO.	DWG. NO.	
FILLETS AND RADII .003 - .005	FILLETS AND RADII (0.07 - 0.13)	INSTALLATION DRAWING MODEL M205C FORCE RING		52681	5601	
DD011 REV. A 05/26/95				SCALE: FULL	SHEET 2 OF 2	