

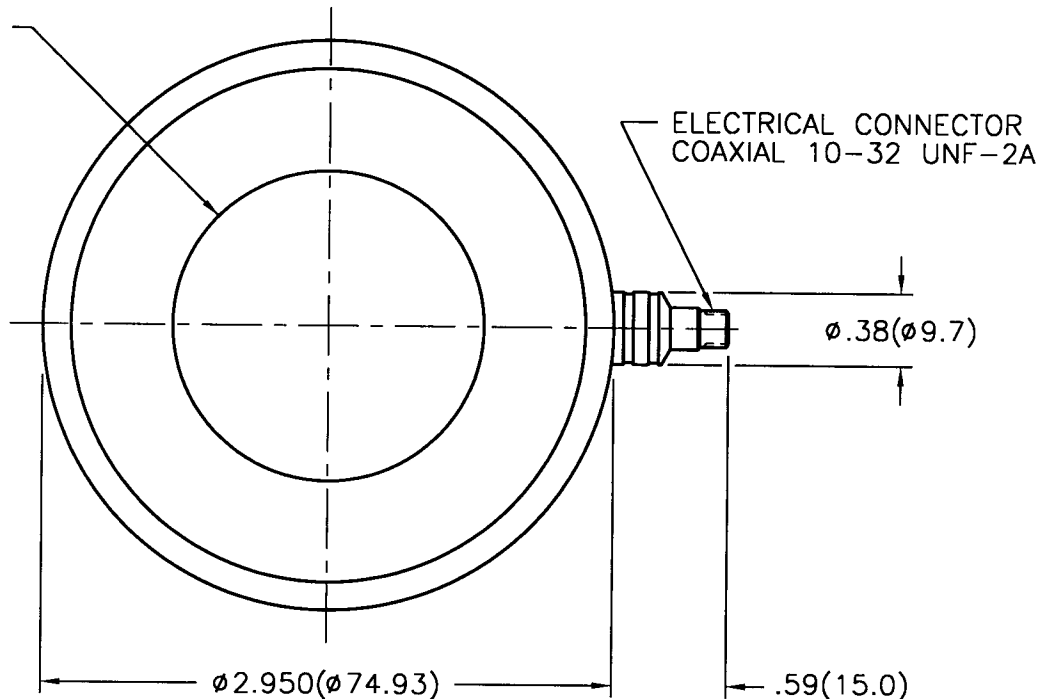
5603

PCB Piezotronics Inc. claims proprietary rights in the information disclosed hereon. Neither it nor any reproduction thereof will be disclosed to others without written consent of PCB Piezotronics Inc.

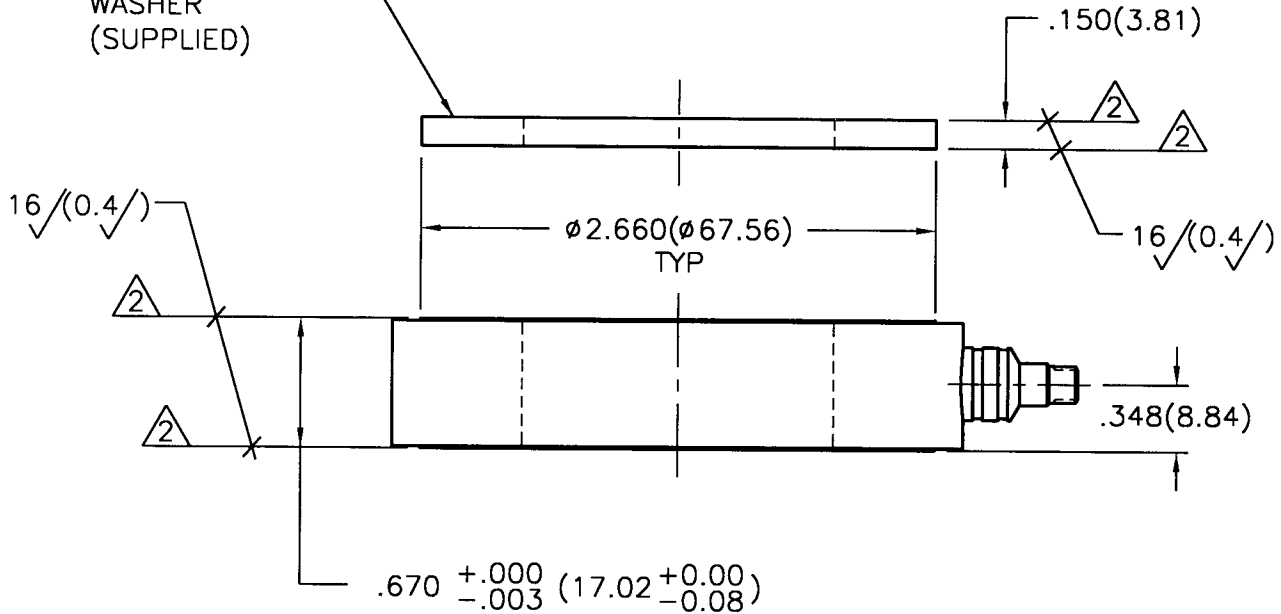
APPLICATION		
NEXT ASS'Y	USED ON	VAR

REVISIONS				
REV	DESCRIPTION	ECN	DATE	APP'D

Ø1.610(Ø40.89)  
THRU HOLE



MODEL 082B07  
ANTI-FRICTION  
WASHER  
(SUPPLIED)



△ THESE SURFACES TO BE FLAT AND PARALLEL TO WITHIN .001(0.03) TIR.

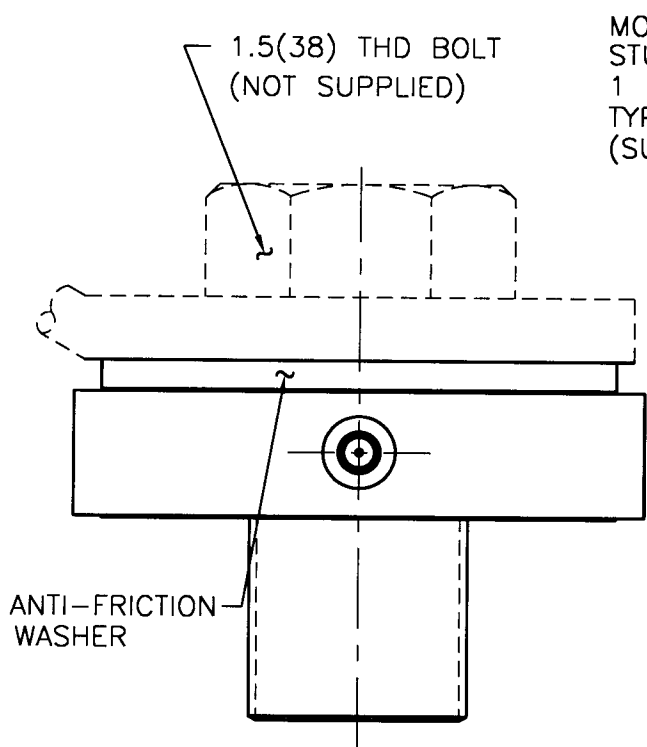
1.) SEE SHEET 2 OF 2 FOR MOUNTING INSTRUCTIONS.

UNLESS SPECIFIED TOLERANCES		DRAWN					<b>PCB</b> PIEZOTRONICS, INC. 3425 WALDEN AVE. DEPEW, NEW YORK 14043 PHONE: (716) 684-0001
DIMENSIONS IN INCHES	DIMENSIONS IN MILLIMETERS (IN PARENTHESIS)	CHK'D	DATE	MFG	DATE	CODE	
DECIMALS XX ± .01 XXX ± .005	DECIMALS XX ± 0.3 XXX ± 0.13	DM	1/10/97	ENGR	1/21/97	IDENT. NO.	
ANGLES ± 2 DEGREES	ANGLES ± 2 DEGREES	APP'D	1/20/97	Sales	1/21/97	52681	
FILLETS AND RADII .003 - .005	FILLETS AND RADII (0.07 - 0.13)	TITLE					OWG. NO.
DD011 REV. A 05/26/95		INSTALLATION DRAWING MODEL 207C FORCE RING					5603
SCALE: FULL						SHEET 1 OF 2	

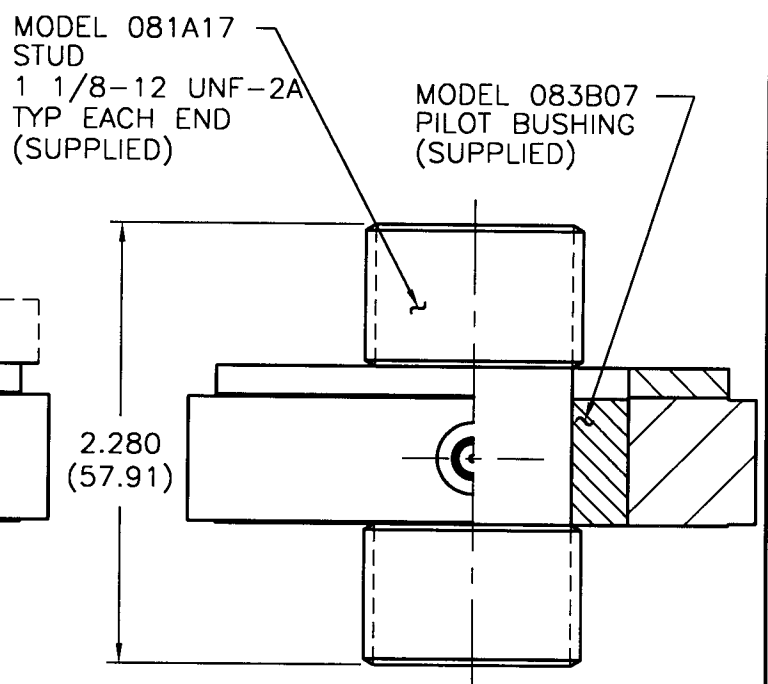
5603

PCB Piezotronics Inc. claims proprietary rights in the information disclosed hereon. Neither it nor any reproduction thereof will be disclosed to others without written consent of PCB Piezotronics Inc.

APPLICATION			REVISIONS				
NEXT ASS'Y	USED ON	VAR	REV	DESCRIPTION	ECN	DATE	APP'D
				- SEE SHEET ONE -			

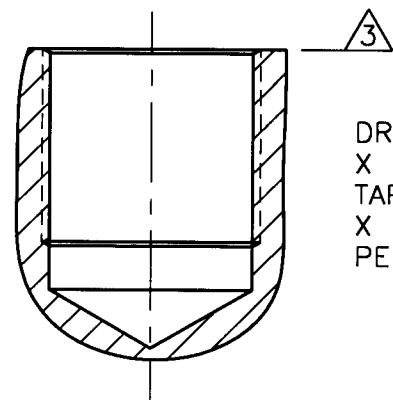


TYP BOLT MOUNTING INSTALLATION

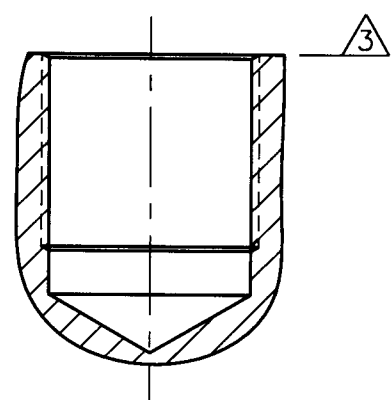


TYP STUD MOUNTING INSTALLATION

DRILL & TAP AS REQUIRED FOR 1.5(38) THD BOLT



DRILL  $\phi 1.046(\phi 26.57)$   
 X 1.25(31.8)  $\nabla$   
 TAP 1 1/8-12 UNF-2B  
 X 1.00(25.4)  $\nabla$   
 PERFECT THREAD



5.) SEE MANUAL FOR PRELOAD INSTRUCTIONS.

$\triangle 4$  DRILL PERPENDICULAR TO MOUNTING SURFACE TO WITHIN  $\pm .001$ ".

$\triangle 3$  MOUNTING SURFACE UNDER FORCE RING MUST BE FLAT WITHIN .001(0.03) TIR WITH A 63/ (1.6/) FINISH.

UNLESS SPECIFIED TOLERANCES		DRAWN	JSC	1/2/97	MFG	RJA	1/7/77	<b>PCB</b> PIEZOTRONICS, INC. 3425 WALDEN AVE. DEPEW, NEW YORK 14043 PHONE: (716) 684-0001
DIMENSIONS IN INCHES	DIMENSIONS IN MILLIMETERS (IN PARENTHESIS)	CHK'D	DM	1/6/97	ENGR	SLB	1/1/77	
DECIMALS XX $\pm .01$ XXX $\pm .005$	DECIMALS XX $\pm 0.3$ XXX $\pm 0.13$	APP'D	JSC	1/2/97	SELES	SLC	1/2/92	
ANGLES $\pm 2$ DEGREES	ANGLES $\pm 2$ DEGREES	TITLE		INSTALLATION DRAWING		CODE IDENT. NO.	DWG. NO.	
FILLETS AND RADII .003 - .005	FILLETS AND RADII (0.07 - 0.13)			MODEL 207C		52681	5603	
DD011 REV. A 05/26/95				FORCE RING		SCALE: FULL SHEET 2 OF 2		