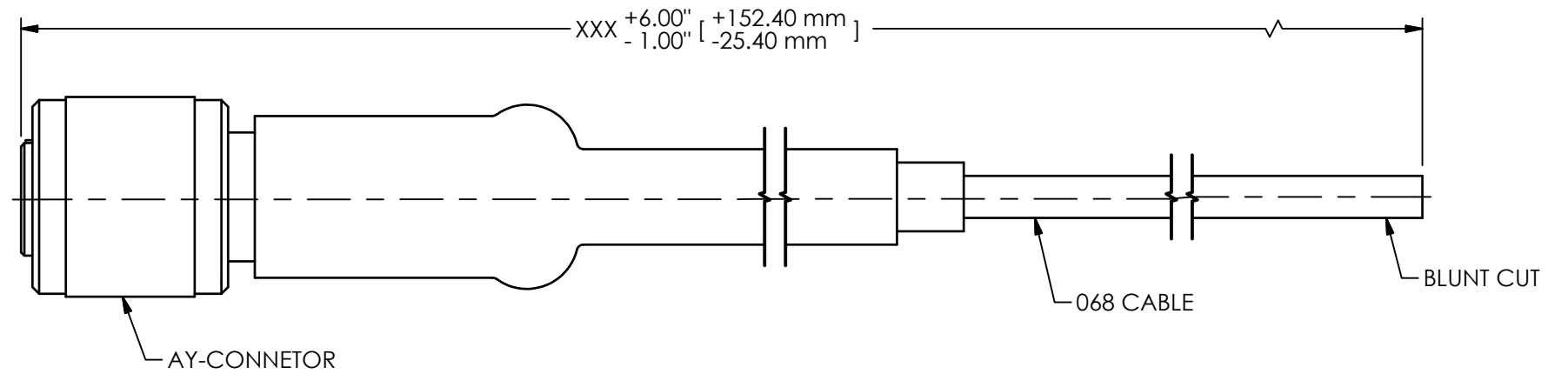
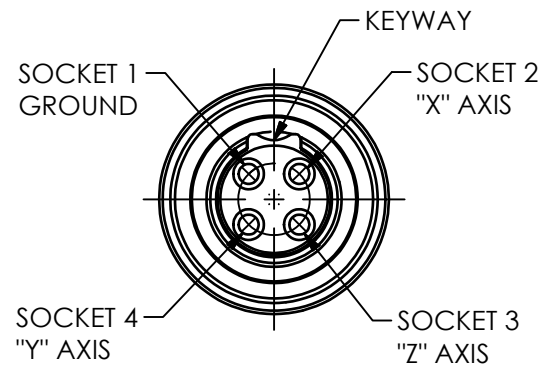


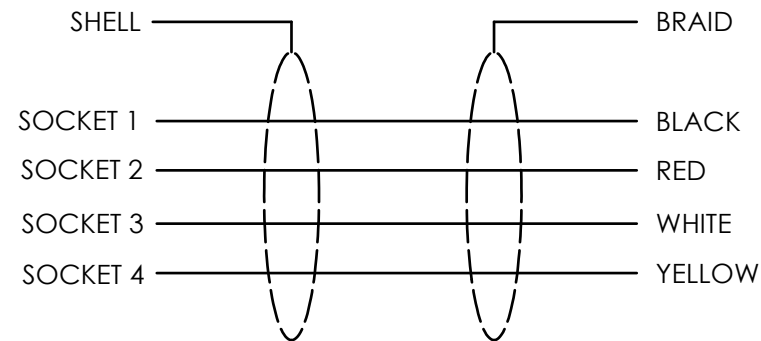
56815

PCB Piezotronics Inc. claims proprietary rights in the information disclosed hereon. Neither it nor any reproduction thereof will be disclosed to others without the written consent of PCB Piezotronics Inc.

REVISIONS		
REV	DESCRIPTION	DIN
A	UPDATED NOTE 1, REMOVED HEAT SHRINK	50813



**SCHEMATIC DIAGRAM**



UNLESS OTHERWISE SPECIFIED TOLERANCES ARE:		DRAWN		CHECKED		ENGINEER			
DIMENSIONS IN INCHES	DIMENSIONS IN MILLIMETERS [ IN BRACKETS ]	JDM	6/2/20	JDM	6/2/20	BAM	6/2/20		
DECIMALS XX ±.03 XXX ±.010	DECIMALS X ± 0.8 XX ± 0.25	TITLE OUTLINE DRAWING 068M01/XXX CABLE ASSEMBLY						CODE IDENT. NO. 52681	DWG. NO. 56815
ANGLES ± 2 DEGREES	ANGLES ± 2 DEGREES							SCALE: 4X	
FILLETS AND RADII .003 - .005	FILLETS AND RADII 0.07 - 0.13	<p>3425 WALDEN AVE. DEPEW, NY 14043 (716) 684-0001 E-MAIL: sales@pcb.com</p>							