

2

1

PCB Piezotronics Inc. claims proprietary rights in the information disclosed hereon. Neither it nor any reproduction thereof will be disclosed to others without the written consent of PCB Piezotronics Inc.

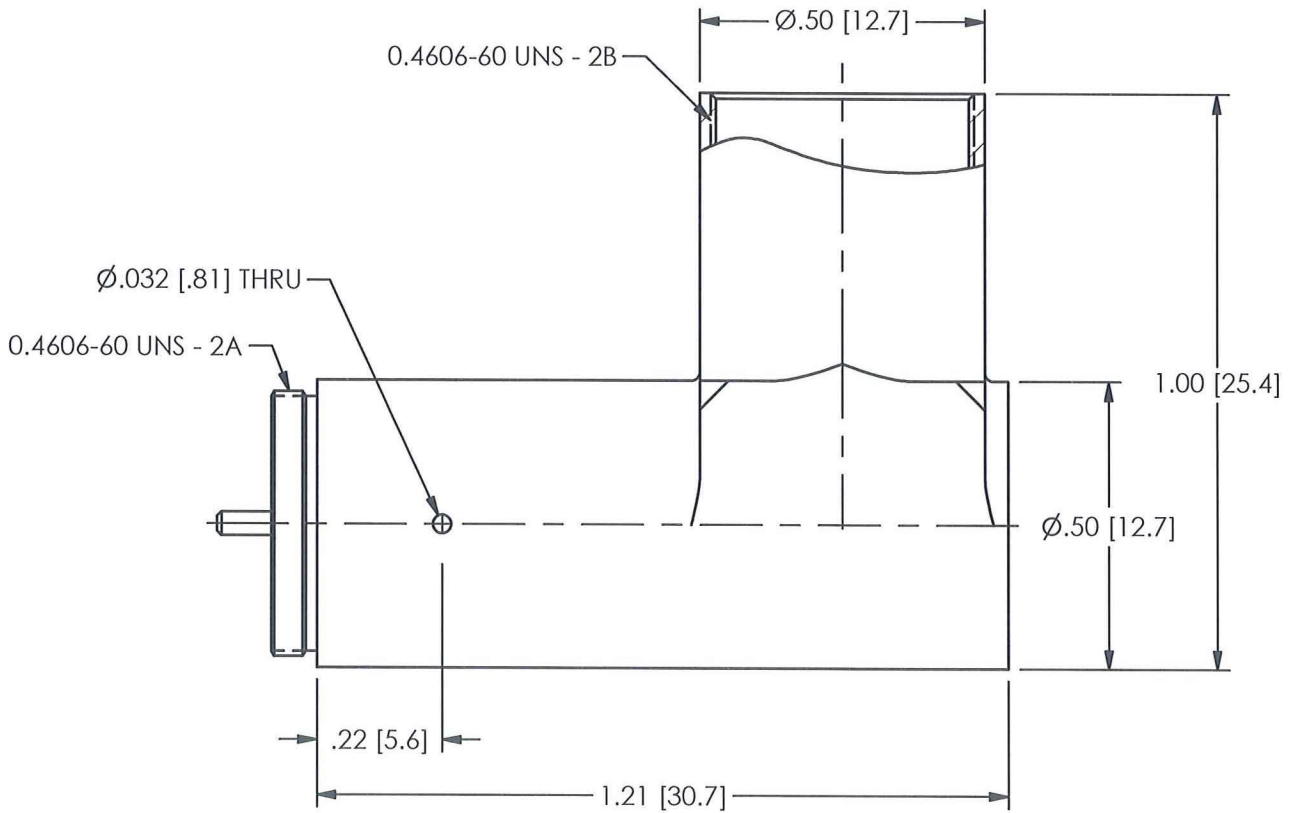
REVISIONS

REV	DESCRIPTION	DIN
NR	RELEASED TO DRAFTING	41975

57278

B

B



A

A

UNLESS OTHERWISE SPECIFIED TOLERANCES ARE:

DIMENSIONS IN INCHES

DECIMALS XX ± 0.03
XXX ± 0.10

ANGLES ± 2 DEGREES

FILLETS AND RADII
.003 - .005

DIMENSIONS IN MILLIMETERS
[IN BRACKETS]

DECIMALS X ± 0.8
XX ± 0.25

ANGLES ± 2 DEGREES

FILLETS AND RADII
0.07 - 0.13

DRAWN

JDM 10/9/13

CHECKED

Jm 10/9/13

ENGINEER

NJL 10/9/13

TITLE

OUTLINE DRAWING
MODEL 079A42
RIGHT ANGLE ADAPTOR

PCB PIEZOTRONICS™

3425 WALDEN AVE. DEPEW, NY 14043
(716) 684-0001 E-MAIL: sales@pcb.com

CODE IDENT. NO.
52681

DWG. NO.

57278

SCALE: 3X

SHEET 1 OF 1

2

1

imorawski 13:03 10/9/2013