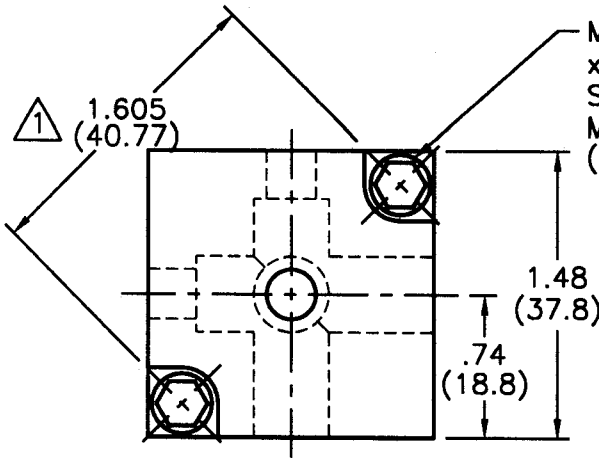


6151

PCB Piezotronics Inc. claims proprietary rights in the information disclosed hereon. Neither it nor any reproduction thereof will be disclosed to others without written consent of PCB Piezotronics Inc.

APPLICATION		
NEXT ASSY	USED ON	VAR

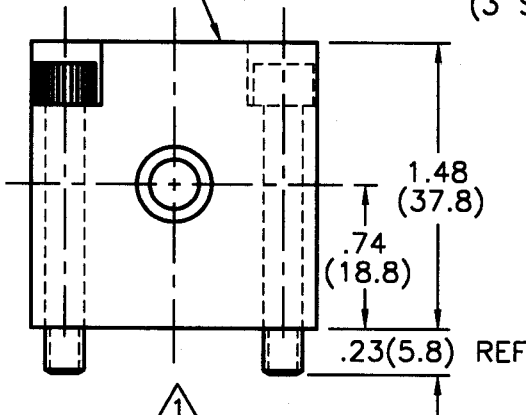
REVISIONS				
REV	DESCRIPTION	ECN	DATE	APP'D
A	UPDATED DRAWING	8033	7/14/97	



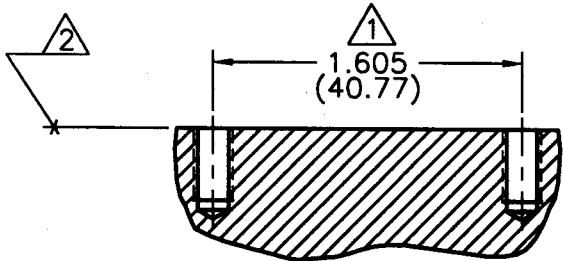
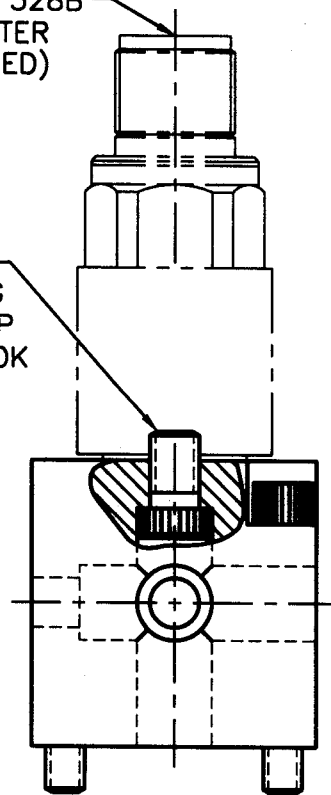
M5 X 0.80  
x 1.38 (35.0) LONG  
SOCKET HEAD CAP SCREWS  
MATERIAL: ST STL  
(2 SUPPLIED)

REF: MODEL 328B  
ACCELEROMETER  
(NOT SUPPLIED)

MODEL M080A57  
TRIAXIAL CUBE  
MAT'L: 303 ST STL



1/4-28 UNF-2B  
x .38 (9.7) LONG  
SOCKET HEAD CAP  
SCREW WITH NYLOK  
INSERT  
(3 SUPPLIED)



**MOUNTING HOLE PREPARATION:**

DRILL  $\phi 0.166(\phi 4.22)$   $\triangle 3$   
X .31(6.4)  $\nabla$  MIN  
TAP M5 X 0.8-6h  
X .25(6.4)  $\nabla$  MIN  
TYP 2 PLACES AS SHOWN

- $\triangle 3$  DRILL PERPENDICULAR TO MOUNTING SURFACE WITHIN  $\pm 1^\circ$ .
- $\triangle 2$  SURFACE TO BE FLAT WITHIN .001(.03) TIR OVER A  $\phi 2.23(\phi 56.6)$  WITH AT LEAST A  $63\sqrt{1.6}$  FINISH.
- $\triangle 1$  DIAGONAL MOUNTING DIMENSION BETWEEN MOUNTING HOLES.

UNLESS SPECIFIED TOLERANCES	
DIMENSIONS IN INCHES	DIMENSIONS IN MILLIMETERS (IN PARENTHESIS)
DECIMALS XX $\pm$ .01 XXX $\pm$ .005	DECIMALS XX $\pm$ 0.3 XXX $\pm$ 0.13
ANGLES $\pm 2$ DEGREES	ANGLES $\pm 2$ DEGREES
FILLETS AND RADII .003 - .005	FILLETS AND RADII (0.07 - 0.13)

DRAWN	DS	7/14/97	MFG	JBS.	7/14/97
CHK'D			ENGR		7/14/97
APP'D				CSA	7/14/97
TITLE INSTALLATION DRAWING MODEL M080A57 TRIAXIAL CUBE					

<b>PCB</b> PIEZOTRONICS, INC. 3425 WALDEN AVE. DEPEW, NEW YORK 14043 PHONE: (716) 684-0001	
CODE IDENT. NO. 52681	DWG. NO. 6151
SCALE: FULL	SHEET 1 OF 1