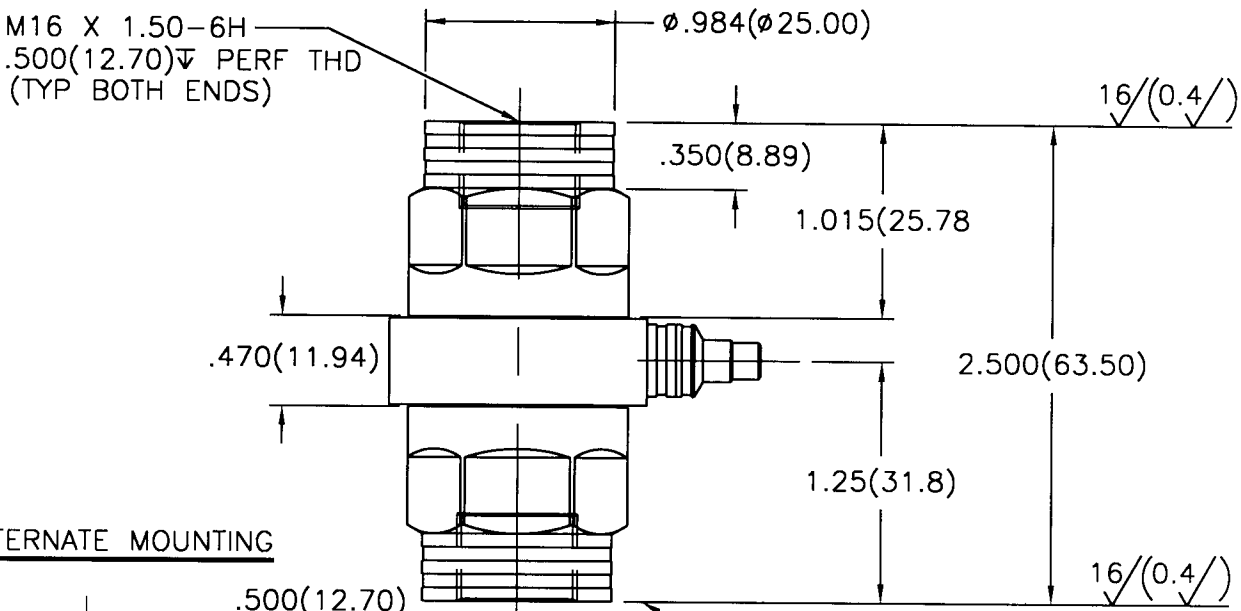
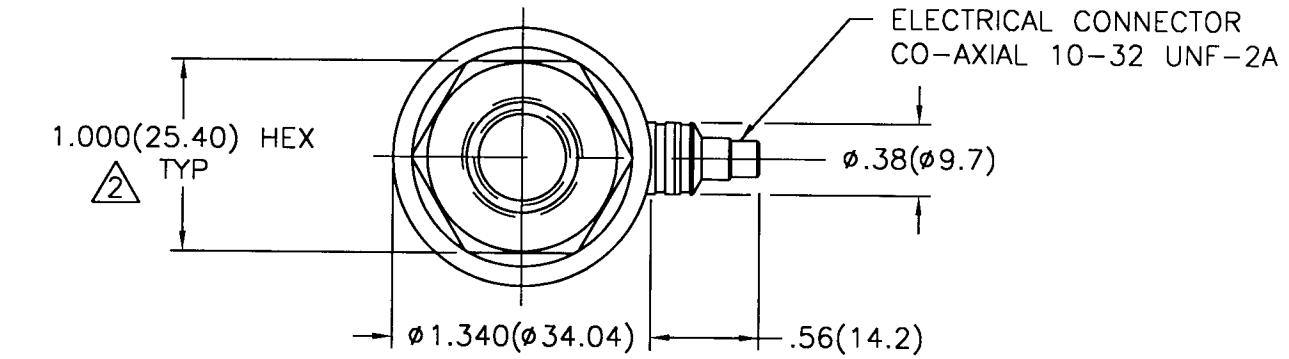


6266

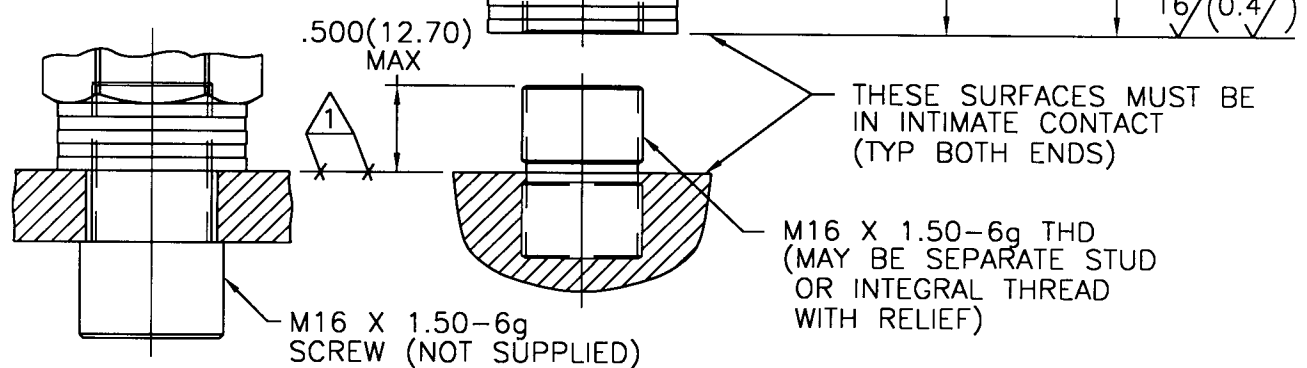
PCB Piezotronics Inc. claims proprietary rights in the information disclosed hereon. Neither it nor any reproduction thereof will be disclosed to others without written consent of PCB Piezotronics Inc.

APPLICATION		
NEXT ASS'Y	USED ON	VAR

REVISIONS				
REV	DESCRIPTION	ECN	DATE	APP'D
A	REVISED PER ECN	8071	8/1/97	K...



**ALTERNATE MOUNTING**



- 4.) COMPRESSIVE FORCE RESULTS IN POSITIVE GOING OUTPUT VOLTAGE.
- 3.) EPOXY OR LOCTITE MAY BE USED ON THREADS TO LOCK FORCE LINK IN PLACE.
- △2 RECOMMENDED MOUNTING TORQUE ON 1.000(25.40) HEX, 14-20 NEWTON METERS (10-15 FOOT POUNDS).
- △1 MOUNTING SURFACES MUST BE FLAT TO WITHIN .001(0.03) TIR WITH A MIN 63/(1.6/) FIN.

UNLESS SPECIFIED TOLERANCES		DRAWN	rc	8/1/97	MFG	RJA	8/5/97	<b>PCB</b> PIEZOTRONICS, INC. 3425 WALDEN AVE. DEPEW, NEW YORK 14043 PHONE: (716) 684-0001	
DIMENSIONS IN INCHES	DIMENSIONS IN MILLIMETERS (IN PARENTHESIS)	CHK'D	W...T	8/1/97	ENGR	...	...		
DECIMALS XX ± .01 XXX ± .005	DECIMALS XX ± 0.3 XXX ± 0.13	APP'D	...	...	...	...	...		
ANGLES ± 2 DEGREES	ANGLES ± 2 DEGREES	TITLE	INSTALLATION DRAWING MODEL M224C HERMETIC SEALED ICP FORCE LINK						CODE IDENT. NO. 52681 DWG. NO. 6266
FILLETS AND RADII .003 - .005	FILLETS AND RADII (0.07 - 0.13)	DD011 REV. A 05/26/95						SCALE: FULL	SHEET 1 OF 1