

2

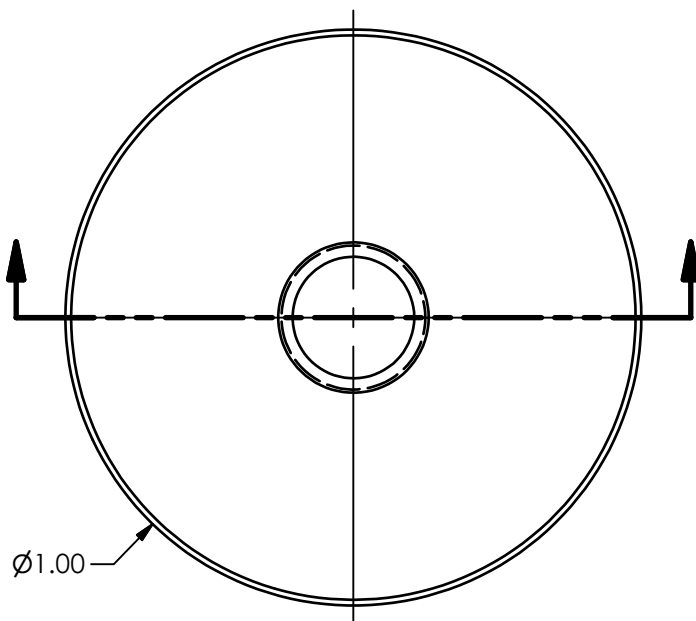
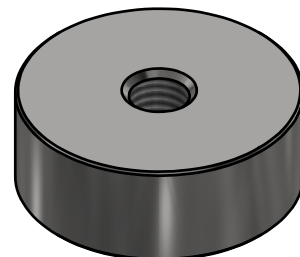
1

PCB Piezotronics Inc. claims proprietary rights in the information disclosed herein. Neither it nor any reproduction thereof will be disclosed to others without the written consent of PCB Piezotronics Inc.

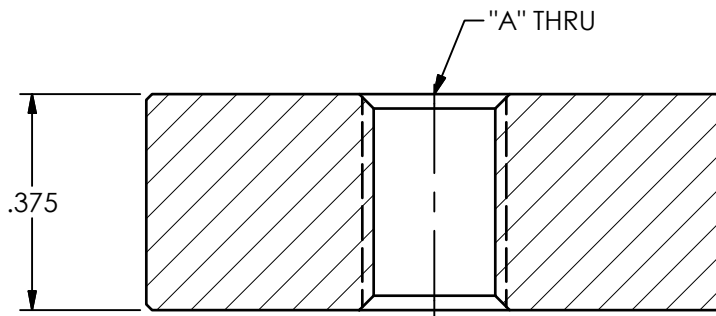
REVISIONS

REV	DESCRIPTION	DIN
A	ADDED NEW VARIATION	53515

63510



Ø1.00



.375

"A" THRU

316L	M6x1.0 - 6H	080M503
17-4 PH	M8x1.0 - 6H	080M458
17-4 PH	M6x1.0 - 6H	M080A118
17-4 PH	1/4-28 UNF - 2B	080A118
MATERIAL	"A"	MODEL

UNLESS OTHERWISE SPECIFIED TOLERANCES ARE:

DRAWN		CHECKED		ENGINEER	
NJF	01/26/23	JDM	01/26/23	GCD	01/26/23



3425 WALDEN AVE. DEPEW, NY 14043
(716) 684-0001 E-MAIL: sales@pcb.com

OUTLINE DRAWING
MOUNTING PAD

CODE IDENT. NO. 52681	DWG. NO. 63510
--------------------------	-------------------

SCALE: 3X SHEET 1 OF 1

2

1

B

B

A

A