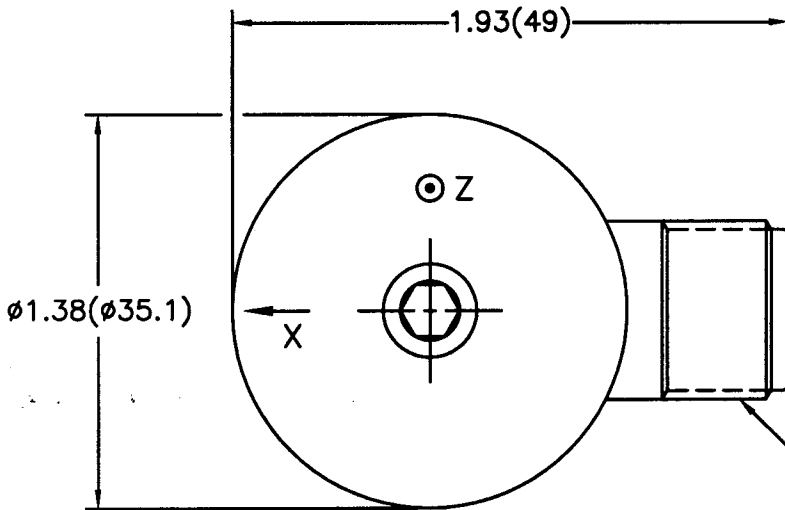


6814

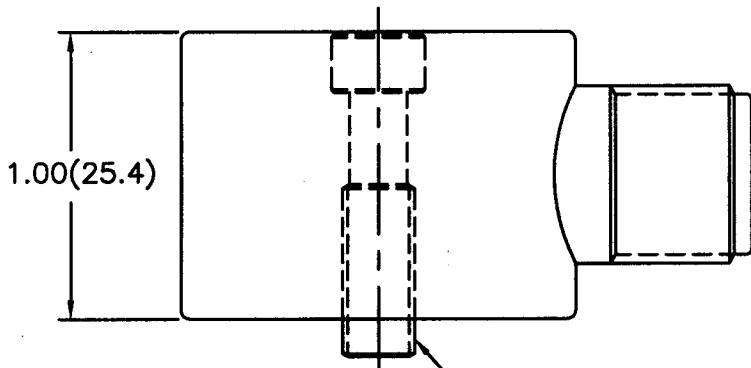
PCB Piezotronics Inc. claims proprietary rights in the information disclosed herein. Neither it nor any reproduction thereof will be disclosed to others without written consent of PCB Piezotronics Inc.

APPLICATION		
NEXT ASSY	USED ON	VAR

REVISIONS				
REV	DESCRIPTION	ECN	DATE	APP'D
D	REVISED PER ECN	18027	7/24/03	cm1/s

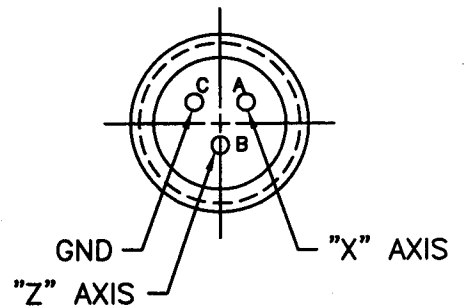


ELECTRICAL CONNECTOR
5/8-24 UNEF-2A
3-PIN (MIL-C-5015)



MOUNTING BOLT
MODEL 081A68
1/4-28 UNF-2A
X .92(23.4) LONG
(SUPPLIED) ▲

SIDE VIEW OF
CONNECTOR



▲ FOR METRIC RING BIAxIAL ACCELEROMETER (M605A01, M605B01) USE MOUNTING BOLT -MODEL M081A68, M6 X 1.00-6g X .92(23) LONG.

UNLESS SPECIFIED TOLERANCES		DRAWN	MVS 7/24/03	MFG	R.D. 7/24/03	 3425 WALDEN AVE. DEPEW, NY 14043 (716) 684-0001 EMAIL: SALES@PCB.COM
DIMENSIONS IN INCHES	DIMENSIONS IN MILLIMETERS [IN BRACKETS]	CHK'D	cm 7/24/03	ENGR	MVS 7/24/03	
DECIMALS XX ±.01 XXX ±.005	DECIMALS X ±0.3 XX ±0.13	APP'D	u.f. 7/24/03	SALES	EG-1 7/24/03	CODE IDENT. NO. 52681
ANGLES ±2 DEGREES	ANGLES ±2 DEGREES	TITLE				DWG. NO. 6814
FILLETS AND RADII .003 - .005	FILLETS AND RADII [0.07 - .013]	OUTLINE DRAWING MODEL 605A01, M, B01, M RING BIAxIAL ACCELEROMETER				SCALE: 1.5 : 1
DD011 REV. C 01/21/03						SHEET 1 OF 1