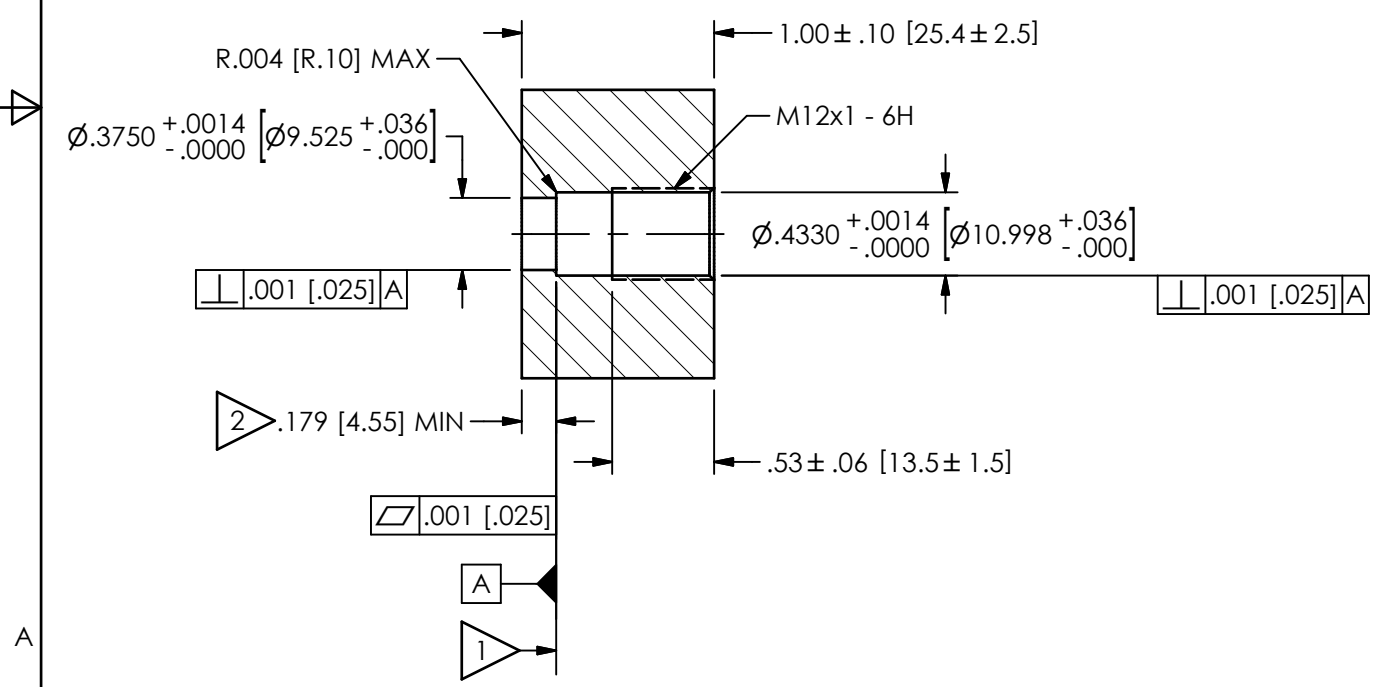
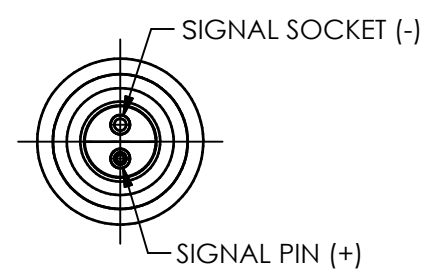
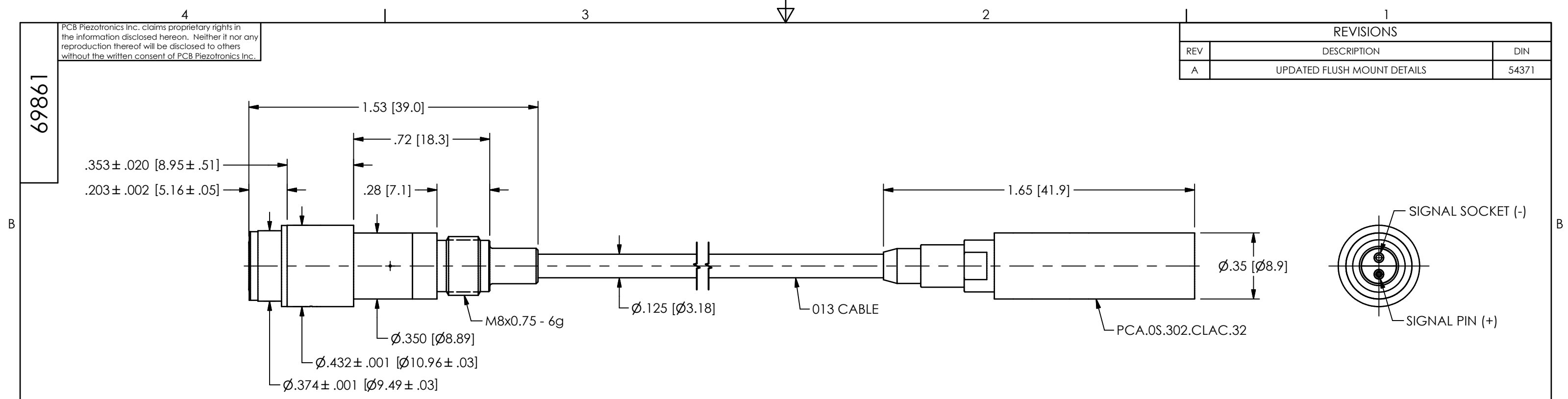


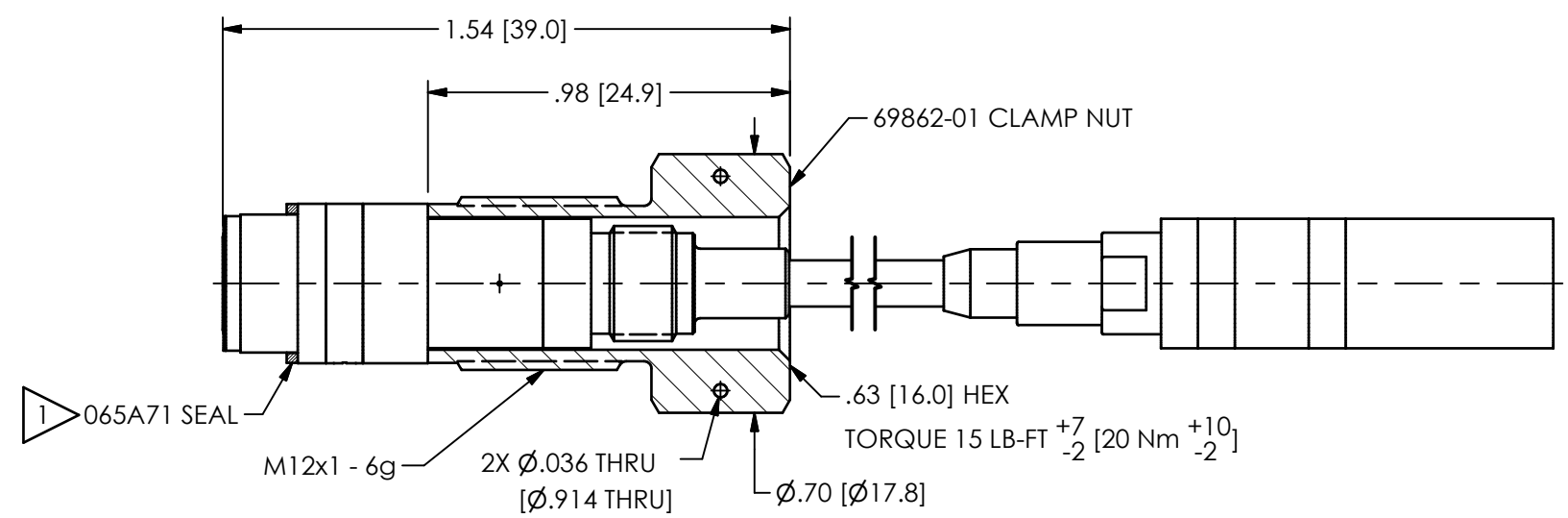
PCB Piezotronics Inc. claims proprietary rights in the information disclosed hereon. Neither it nor any reproduction thereof will be disclosed to others without the written consent of PCB Piezotronics Inc.

69861

REVISIONS		
REV	DESCRIPTION	DIN
A	UPDATED FLUSH MOUNT DETAILS	54371



MOUNTING HOLE PREPARATION



SHOWN WITH CLAMP NUT

- 2 SHOWN FOR 1.0 [25.4] MAINTAIN DIMENSION FOR ALL WALL THICKNESSES
- 1 MATING MACHINED SURFACES TO HAVE A SURFACE ROUGHNESS OF Ra 16 [0.4]

UNLESS OTHERWISE SPECIFIED TOLERANCES ARE:		DRAWN		CHECKED		ENGINEER	
DIMENSIONS IN INCHES		NJF	11/02/23	JDM	11/02/23	EDB	11/02/23
DECIMALS XX ±01 XXX ±005		TITLE					
DIMENSIONS IN MILLIMETERS [IN BRACKETS]		INSTALLATION DRAWING					
DECIMALS X ±0.3 XX ±0.13		HIGH TEMPERATURE					
ANGLES ± 2 DEGREES		PRESSURE SENSOR					
CABLE TOLERANCES IN ENGLISH		CODE IDENT. NO. 52681					
1" ≤ LENGTH < 1' = +1"/ - 0		DWG. NO. 69861					
1' ≤ LENGTH < 5' = +2"/ - 0		SCALE: 2X					
5' ≤ LENGTH < 100' = +6"/ - 0		SHEET 1 OF 1					
100' ≤ LENGTH = +1' / - 0							
CABLE TOLERANCES IN METRIC							
2.54cm ≤ LENGTH < 30.5cm = +2.54cm / - 0							
30.5cm ≤ LENGTH < 1.5m = +5.1cm / - 0							
1.5m ≤ LENGTH < 30.5m = +15.2cm / - 0							
30.5m ≤ LENGTH = +30.5cm / - 0							
FILLETS AND RADII .003 - .005							
FILLETS AND RADII 0.07 - 0.13							

PCB PIEZOTRONICS
AN AMPHENOL COMPANY

3425 WALDEN AVE. DEPEW, NY 14043
(716) 684-0001 E-MAIL: sales@pcb.com