

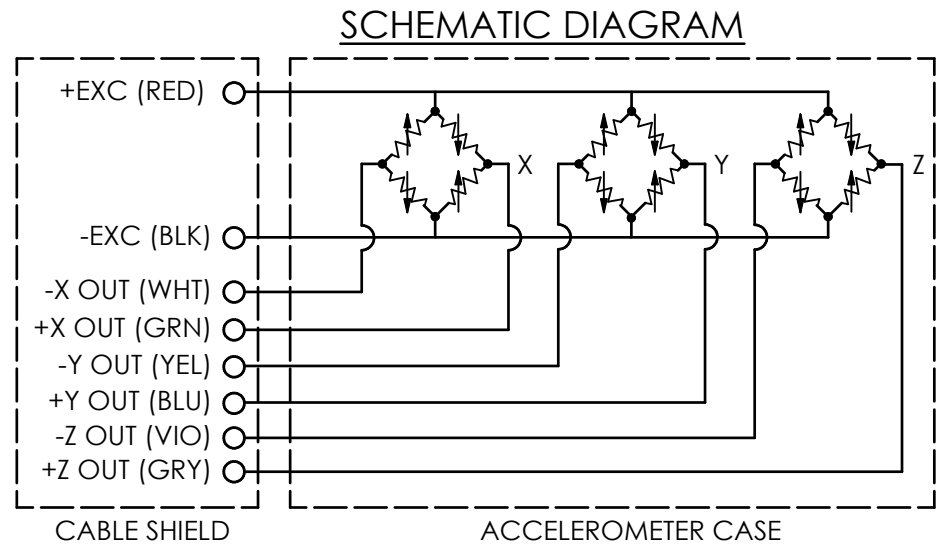
2 7274A - XXX - E - ZZZ

CABLE LENGTH IN INCHES (I.E. 7274A-XXX-E-120 HAS A CABLE LENGTH OF 120 INCHES). IF NO DASH NUMBER IS SPECIFIED THE DEFAULT IS 48 INCHES
 FOR LENGTHS ≤ 10ft SPECIFY IN 1ft INCREMENTS (60", 72", 84"....120").
 FOR LENGTHS > 10ft SPECIFY IN 5ft INCREMENTS (180", 240", 300", etc).

EXCITATION VOLTAGE OPTION (OMIT DASH NUMBER FOR DEFAULT VOLTAGE OF 5VDC)

RANGE
 -2K = 2000 g
 -6K = 6000 g
 -20K = 20000 g
 -60K = 60000 g

BASIC MODEL NUMBER



2 LENGTH WILL VARY IN FEET OR METERS DEPENDING ON THE MODEL

1 ACCELERATIONS IN THE POSITIVE DIRECTIONS OF THE MARKED COORDINATE SYSTEM WILL GIVE POSITIVE OUTPUTS FOR EACH CORRESPONDING AXIS

UNLESS OTHERWISE SPECIFIED TOLERANCES ARE:		DRAWN		CHECKED		ENGINEER	
DIMENSIONS IN INCHES		NJF	06/12/23	JDM	06/12/23	JKN	06/12/23
DECIMALS XX ±.03		TITLE					
XXX ±.010							
ANGLES ± 2 DEGREES							
DIMENSIONS IN MILLIMETERS [IN BRACKETS]		OUTLINE DRAWING 7274A SERIES ACCELEROMETER					
DECIMALS X ±0.8							
XX ±0.25							
CABLE TOLERANCES IN ENGLISH		PCB PIEZOTRONICS OF NC, INC (DBA ENDEVCO) 10869 NC HIGHWAY 903, HALIFAX, NC 27839					
1" ≤ LENGTH < 1' = +1"/ - 0		CODE IDENT. NO. 8DN13					
1' ≤ LENGTH < 5' = +2"/ - 0		DWG. NO. 74363					
5' ≤ LENGTH < 100' = +6"/ - 0		SCALE: 4.5X					
100' ≤ LENGTH = +1' / - 0		SHEET 1 OF 1					
CABLE TOLERANCES IN METRIC							
2.54cm ≤ LENGTH < 30.5cm = +2.54cm / - 0							
30.5cm ≤ LENGTH < 1.5m = +5.1cm / - 0							
1.5m ≤ LENGTH < 30.5m = +15.2cm / - 0							
30.5m ≤ LENGTH = +30.5cm / - 0							
FILLETS AND RADII .003 - .005							
FILLETS AND RADII 0.07 - 0.13							