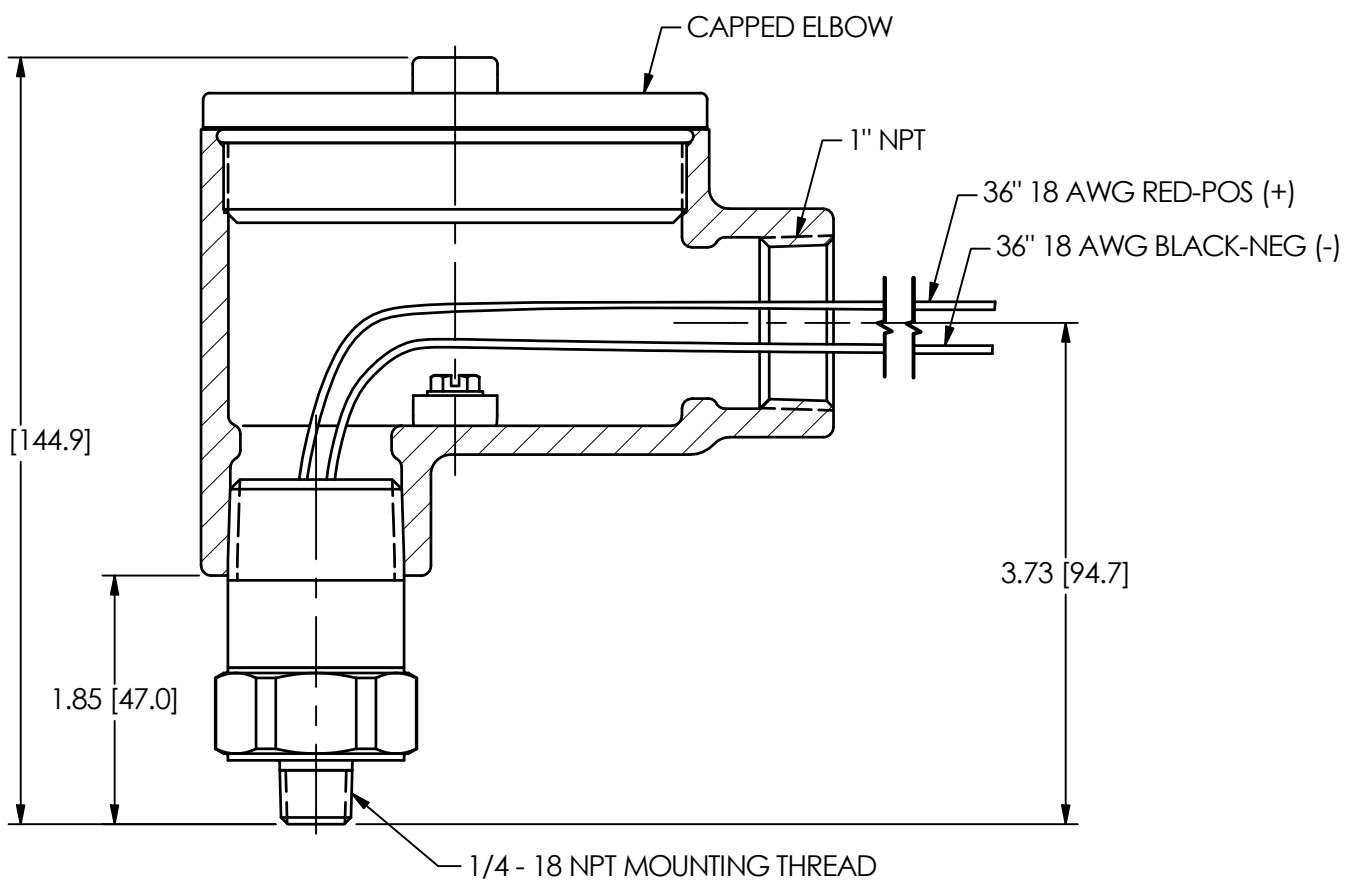
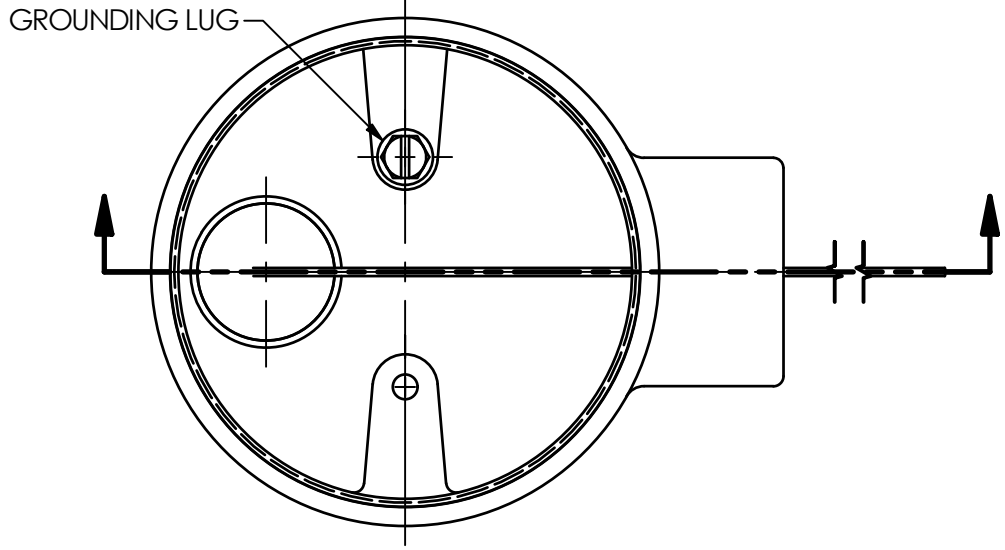



PCB Piezotronics Inc. claims proprietary rights in the information disclosed hereon. Neither it nor any reproduction thereof will be disclosed to others without the written consent of PCB Piezotronics Inc.

1		
REVISIONS		
REV	DESCRIPTION	DIN
NR	RELEASED TO DRAFTING	51542

74476



1.) TOP VIEW SHOWN WITHOUT COVER FOR CLARIFICATION

UNLESS OTHERWISE SPECIFIED TOLERANCES ARE:		DRAWN		CHECKED		ENGINEER		 3425 WALDEN AVE. DEPEW, NY 14043 (716) 684-0001 E-MAIL: sales@pcb.com	
DIMENSIONS IN INCHES	DIMENSIONS IN MILLIMETERS [IN BRACKETS]	JJF	3/10/21	JJF	3/10/21	GGG	3/10/21		
DECIMALS XX ±.03 XXX ±.010	DECIMALS X ±.8 XX ±.25	TITLE OUTLINE DRAWING MODEL CS64XB9Y 4-20mA VELOCITY SENSOR							CODE IDENT. NO. 52681
ANGLES ± 2 DEGREES	ANGLES ± 2 DEGREES								DWG. NO. 74476
FILLETS AND RADII .003 - .005	FILLETS AND RADII 0.07 - 0.13	SCALE: FULL		SHEET 1 OF 1					

2

1