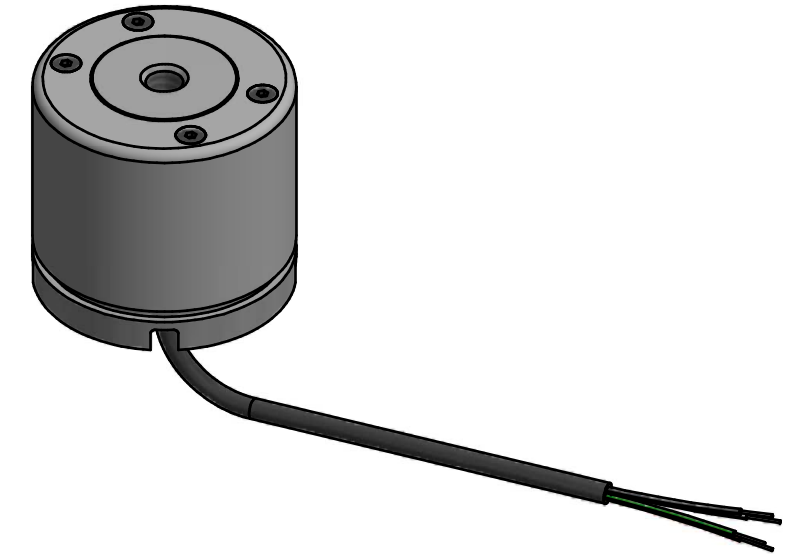
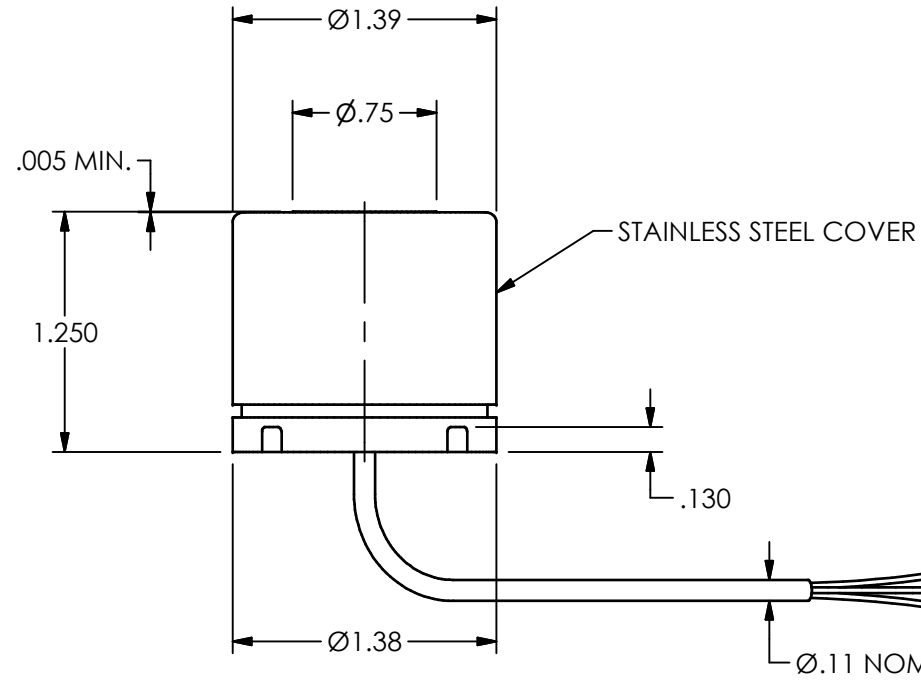
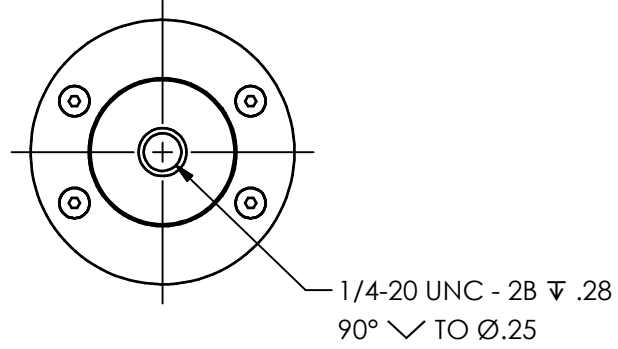


PCB Load & Torque (A Division of PCB Piezotronics, Inc.) claims proprietary rights in the information disclosed hereon. Neither it nor any reproduction thereof will be disclosed to others without the written consent of PCB Load and Torque.

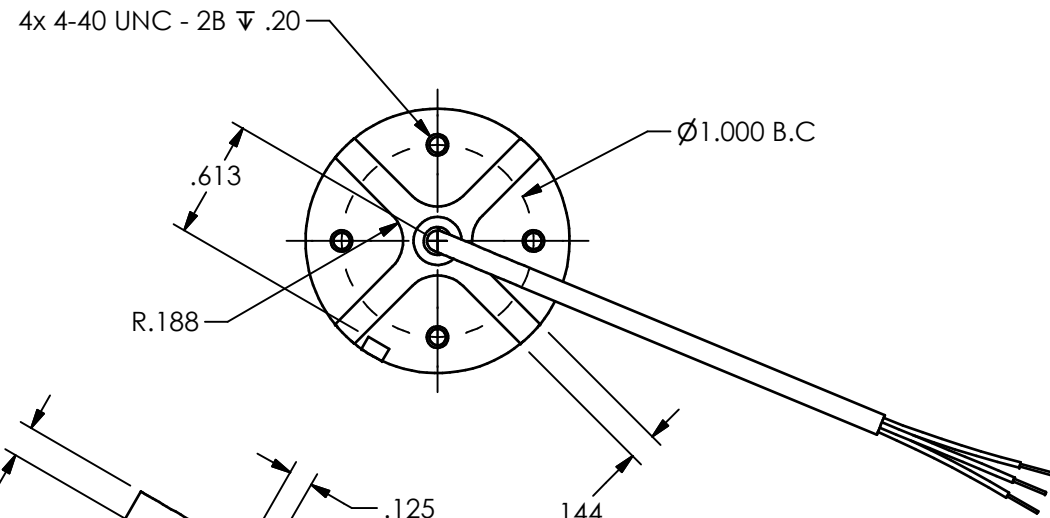
74950


REVISIONS

REV	DESCRIPTION	ECO
C	CABLE LENGTH WAS 18" IN ERROR - 05.05.23, PTE	53853



4 CONDUCTOR CABLE, 24 IN. LONG
WIRING CODE (RS WIRING CODE)
RED +EXC.
GRN -SIG.
WHT +SIG.
BLK -EXC.



UNLESS OTHERWISE SPECIFIED TOLERANCES ARE:		DRAWN		CHECKED		ENGINEER		 24350 Indoplex Circle, Farmington Hills, MI 48335 (248) 888-8260 E-MAIL: liinfo@pcb.com DWG. NO. 74950 SCALE: FULL SHEET 1 OF 1
DIMENSIONS IN INCHES	DIMENSIONS IN MILLIMETERS [IN BRACKETS]	PTE	04.29.14	JAM	05.04.21	JAM	05.04.21	
DECIMALS XX ±.01 XXX ±.005	DECIMALS X ±.3 XX ±.13	TITLE OUTLINE DRAWING SIDE FORCE TRANSDUCER 1903-01B, -01C SERIES						
ANGLES ± .5 DEGREES	ANGLES ± .5 DEGREES							
FILLETS AND RADII .015 MAX	FILLETS AND RADII 0.38 MAX							