

PCB Piezotronics Inc. claims proprietary rights in the information disclosed hereon. Neither it nor any reproduction thereof will be disclosed to others without the written consent of PCB Piezotronics Inc.

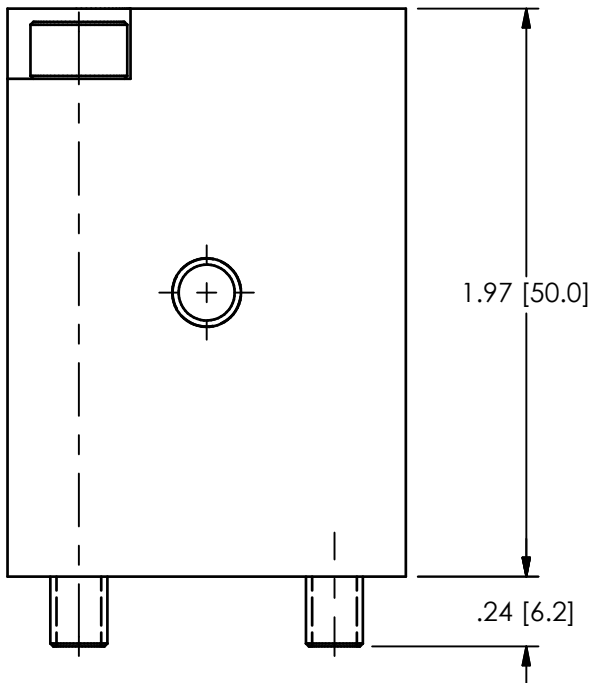
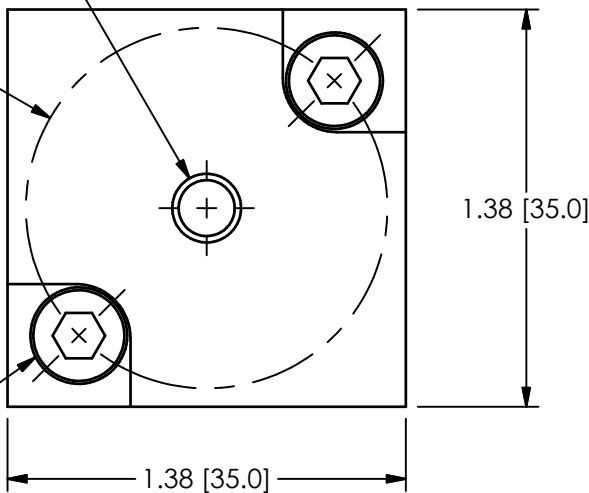
REVISIONS		
REV	DESCRIPTION	DIN
NR	RELEASED TO DRAFTING	54709

75620

6X M6x1 - 6H ∇ .35 [8.9]

\varnothing 1.25 [31.8] BOLT CIRCLE

2X M5 X 50mm SOCKET HEAD CAP SCREWS SUPPLIED
MATERIAL: S32760



1.) MATERIAL: S32760 STAINLESS STEEL

UNLESS OTHERWISE SPECIFIED TOLERANCES ARE:		DRAWN	CHECKED	ENGINEER	<p>3425 WALDEN AVE. DEPEW, NY 14043 (716) 684-0001 E-MAIL: sales@pcb.com</p>			
DIMENSIONS IN INCHES DECIMALS XX \pm .03 XXX \pm .010 ANGLES \pm 2 DEGREES	DIMENSIONS IN MILLIMETERS [IN BRACKETS] DECIMALS X \pm 0.8 XX \pm 0.25 ANGLES \pm 2 DEGREES	NJF	03/18/24	JDM		03/18/24	GCD	03/18/24
CABLE TOLERANCES IN ENGLISH 1" \leq LENGTH < 1' = +1"/ - 0 1' \leq LENGTH < 5' = +2"/ - 0 5' \leq LENGTH < 100' = +6"/ - 0 100' \leq LENGTH = +1'/ - 0	CABLE TOLERANCES IN METRIC 2.54cm \leq LENGTH < 30.5cm = +2.54cm/ - 0 30.5cm \leq LENGTH < 1.5m = +5.1cm/ - 0 1.5m \leq LENGTH < 30.5m = +15.2cm/ - 0 30.5m \leq LENGTH = +30.5cm/ - 0	TITLE OUTLINE DRAWING TRIAX MOUNTING BLOCK 080M500						
FILLETS AND RADII .003 - .005	FILLETS AND RADII 0.07 - 0.13							CODE IDENT. NO. 52681