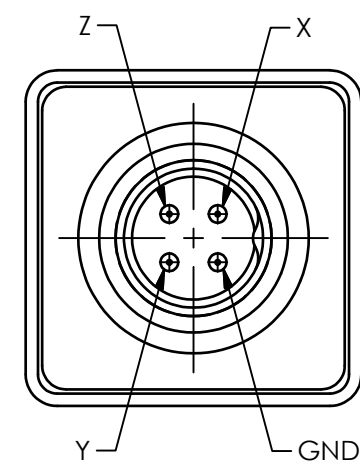
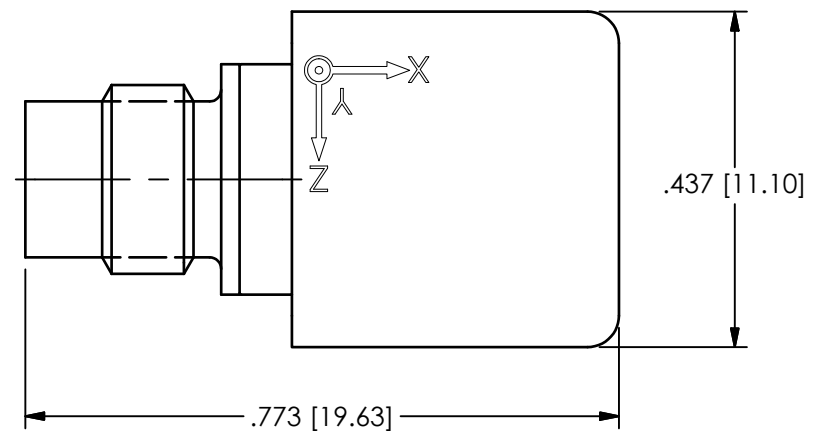


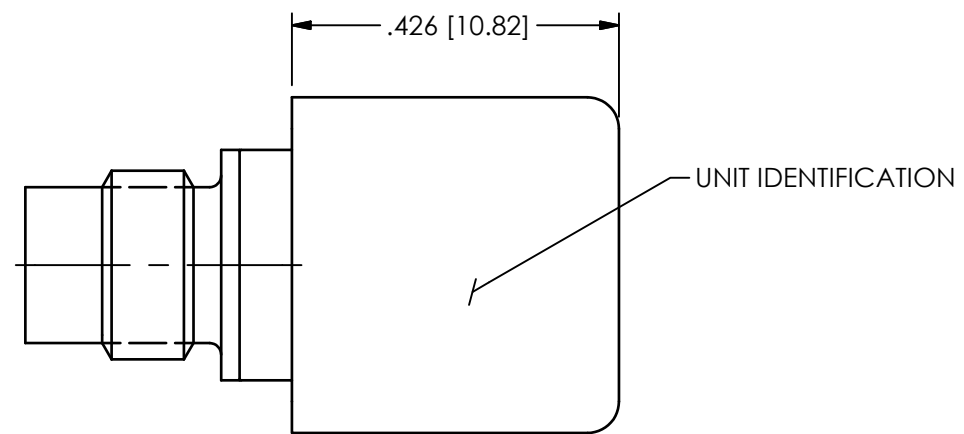
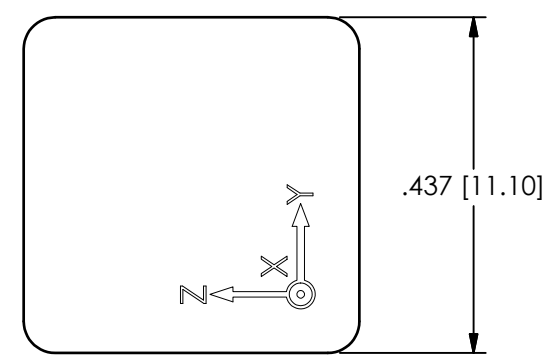
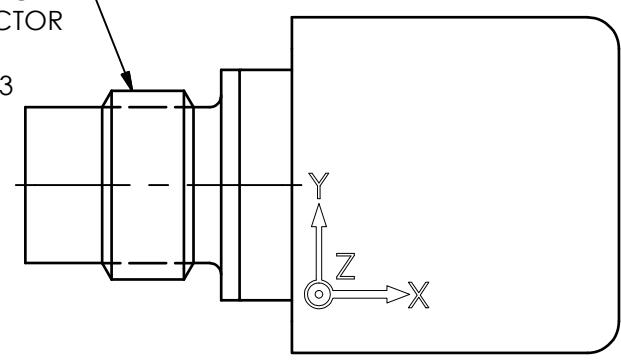
PCB Piezotronics of NC, Inc. (DBA Endevco) claims proprietary rights in the information disclosed hereon. Neither it nor any reproduction thereof will be disclosed to others without the written consent of PCB Piezotronics of NC, Inc. (DBA Endevco)

76270

REVISIONS		
REV	DESCRIPTION	DIN
NR	RELEASED TO DRAFTING	53075



HERMETIC 4-PIN RECEPTACLE  
1/4-28 UNF - 2A CONNECTOR  
MATES WITH ENDEVCO  
3027AVM13 OR 3027AM3



UNLESS OTHERWISE SPECIFIED TOLERANCES ARE:		DRAWN		CHECKED		ENGINEER	
DIMENSIONS IN INCHES		JJF	8/19/22	JJF	8/19/22	DAM	8/19/22
DECIMALS XX ±.03	DIMENSIONS IN MILLIMETERS [IN BRACKETS] X ± 0.8	TITLE					
XXX ±.010	DECIMALS XX ± 0.25						
ANGLES ± 2 DEGREES	ANGLES ± 2 DEGREES	OUTLINE DRAWING 65M1, 65HTM1, 65HTLPFM1 SERIES ACCELEROMETERS					
CABLE TOLERANCES IN ENGLISH							
CABLE TOLERANCES IN METRIC							
FILLETS AND RADII							
.003 - .005		CODE IDENT. NO. 8DN13		DWG. NO. 76270		SCALE: 4X SHEET 1 OF 1	

**ENDEVCO**  
AN AMPHENOL COMPANY  
PCB PIEZOTRONICS OF NC, INC (DBA ENDEVCO)  
10869 NC HIGHWAY 903, HALIFAX, NC 27839