

PCB Piezotronics Inc. claims proprietary rights in the information disclosed hereon. Neither it nor any reproduction thereof will be disclosed to others without the written consent of PCB Piezotronics Inc.

REVISIONS		
REV	DESCRIPTION	DIN
NR	RELEASED TO DRAFTING	53682

77577

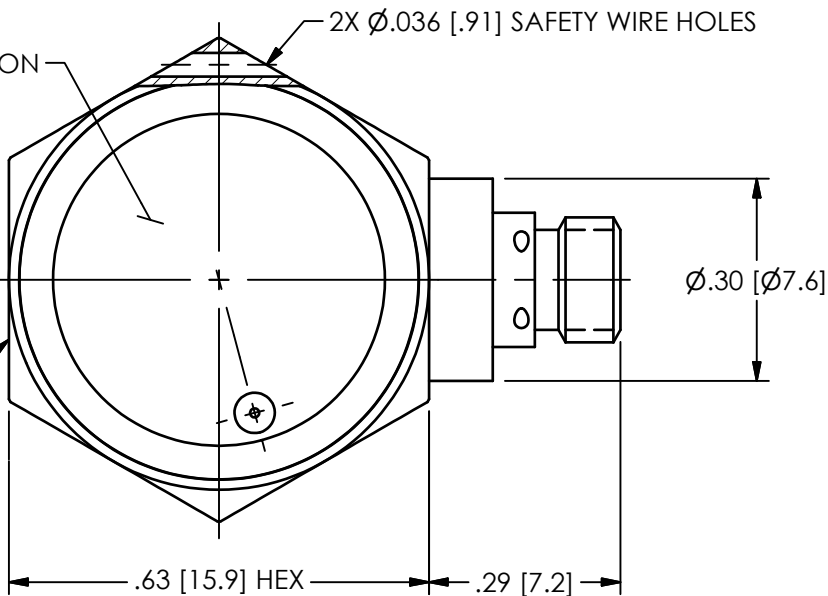
UNIT IDENTIFICATION

2X Ø.036 [.91] SAFETY WIRE HOLES

B

B

S/N ON THIS FACE



Ø.30 [Ø7.6]

.63 [15.9] HEX

.29 [7.2]

2X Ø.625 [Ø15.88]

2X Ø.021 [Ø.53] THRU SAFETY WIRE HOLES

MATES WITH ENDEVCO 3000 SERIES CABLES WITH 10-32 UNF - 2A CONNECTOR

.78 [19.8]

.41 [10.4]

.23 [5.8]

.130 [3.30] MIN

.005 ^{+0.005} _{-.000} [.13 ^{+0.13} _{-.00}]

A

A

.025 [.64]

Ø.250 [Ø6.35]

10-32 UNF - 2B

Ø.540 [Ø13.72]

UNLESS OTHERWISE SPECIFIED TOLERANCES ARE:

DRAWN		CHECKED		ENGINEER	
NJF	04/03/23	JDM	04/03/23	DAM	04/03/23

ENDEVCO
AN AMPHENOL COMPANY

PCB PIEZOTRONICS OF NC, INC (DBA ENDEVCO)
10869 NC HIGHWAY 903, HALIFAX, NC 27839

TITLE
OUTLINE DRAWING
7703A-50, 7703A-100

CODE IDENT. NO. 8DN13	DWG. NO. 77577
--------------------------	--------------------------

SCALE: 3.5X	SHEET 1 OF 1
-------------	--------------