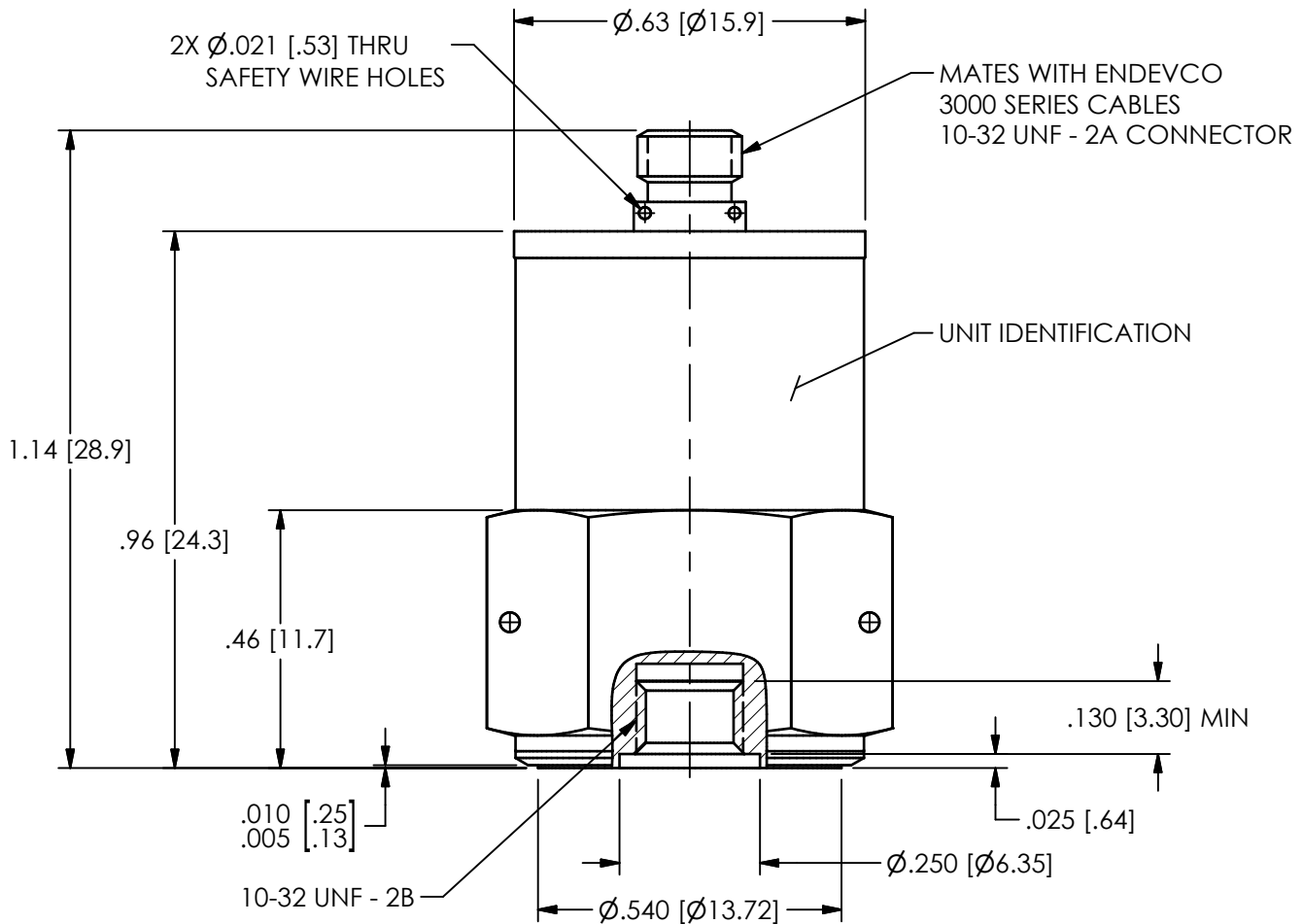
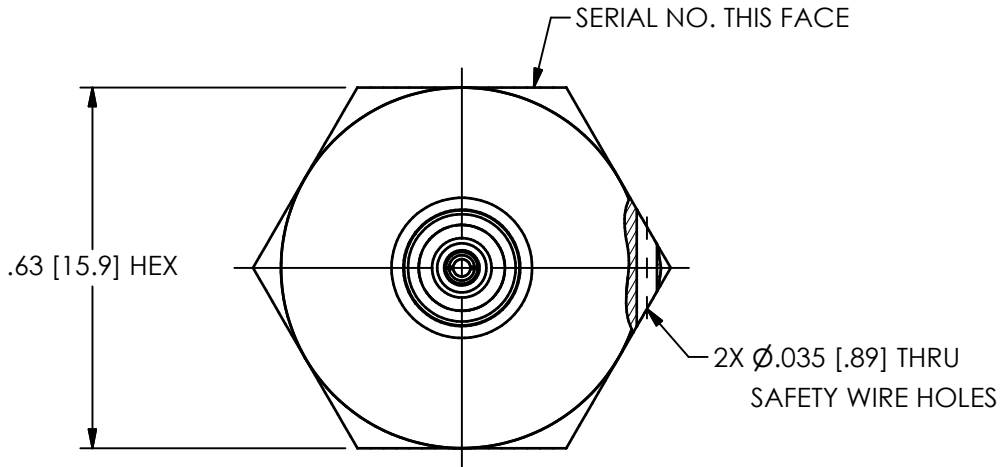


PCB Piezotronics Inc. claims proprietary rights in the information disclosed hereon. Neither it nor any reproduction thereof will be disclosed to others without the written consent of PCB Piezotronics Inc.

REVISIONS

REV	DESCRIPTION	DIN
NR	RELEASED TO DRAFTING	53938

77761



UNLESS OTHERWISE SPECIFIED TOLERANCES ARE:

DRAWN: NJF 07/07/23 CHECKED: JDM 07/07/23 ENGINEER: DAM 07/07/23

**PCB PIEZOTRONICS**  
AN AMPHENOL COMPANY

3425 WALDEN AVE. DEPEW, NY 14043  
(716) 684-0001 E-MAIL: sales@pcb.com

DIMENSIONS IN INCHES  
DECIMALS XX ±.03  
XXX ±.010  
ANGLES ± 2 DEGREES

DIMENSIONS IN MILLIMETERS [IN BRACKETS]  
DECIMALS X ± 0.8  
XX ± 0.25  
ANGLES ± 2 DEGREES

CABLE TOLERANCES IN ENGLISH  
1" ≤ LENGTH < 1' = +1"/-0  
1' ≤ LENGTH < 5' = +2"/-0  
5' ≤ LENGTH < 100' = +6"/-0  
100' ≤ LENGTH = +1"/-0

CABLE TOLERANCES IN METRIC  
2.54cm ≤ LENGTH < 30.5cm = +2.54cm/-0  
30.5cm ≤ LENGTH < 1.5m = +5.1cm/-0  
1.5m ≤ LENGTH < 30.5m = +15.2cm/-0  
30.5m ≤ LENGTH = +30.5cm/-0

FILLETS AND RADII  
.003 - .005

FILLETS AND RADII  
0.07 - 0.13

TITLE  
OUTLINE DRAWING  
7724 ACCELEROMETER

CODE IDENT. NO. 52681 DWG. NO. 77761

SCALE: 3X SHEET 1 OF 1