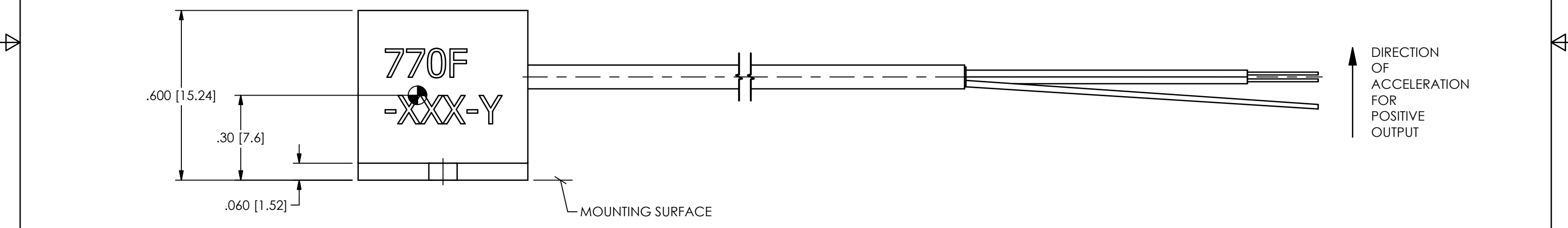
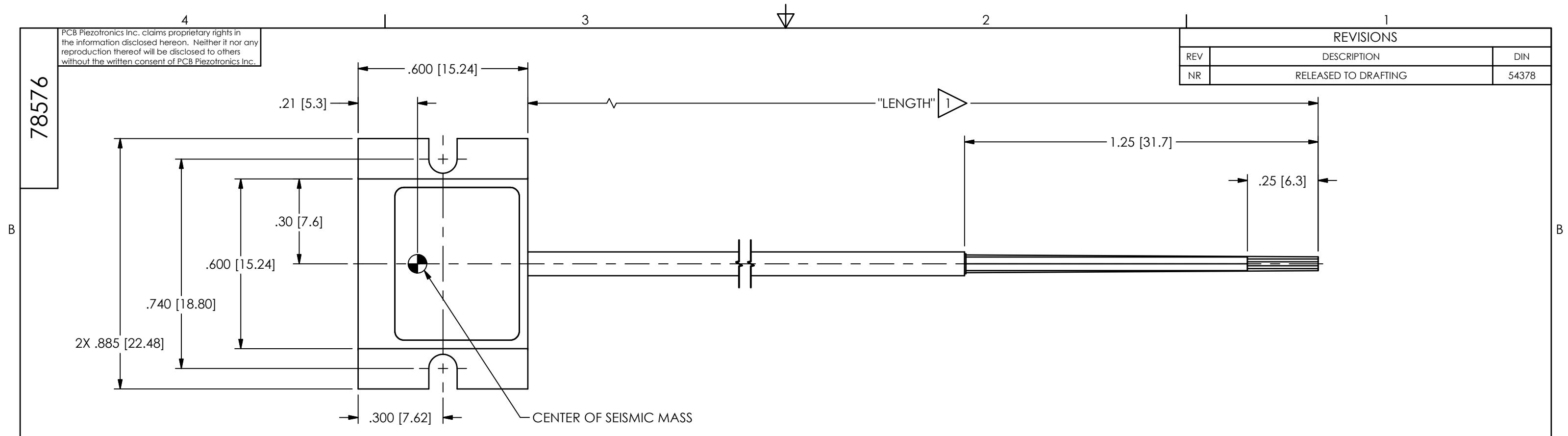
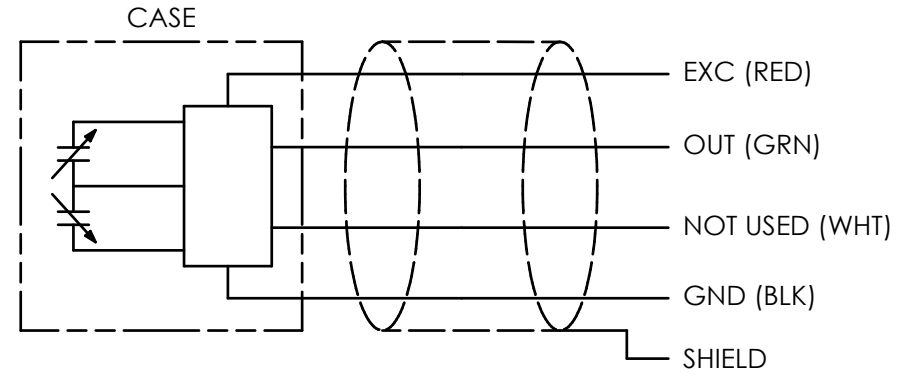


PCB Piezotronics Inc. claims proprietary rights in the information disclosed hereon. Neither it nor any reproduction thereof will be disclosed to others without the written consent of PCB Piezotronics Inc.

REVISIONS		
REV	DESCRIPTION	DIN
NR	RELEASED TO DRAFTING	54378



SCHEMATIC



1 CABLE LENGTH ("LENGTH") IS DETERMINED BY "ZZZ" ON THE MODEL NUMBER 770F-XXX-Y-ZZZ, I.E. 770F-XXX-Y-120 HAS A CABLE LENGTH OF 120 INCHES

UNLESS OTHERWISE SPECIFIED TOLERANCES ARE:		DRAWN		CHECKED		ENGINEER	
DIMENSIONS IN INCHES		NJF	11/27/23	JDM	11/27/23	HX	11/27/23
DECIMALS XX ±.03 XXX ±.010		TITLE					
ANGLES ± 2 DEGREES		OUTLINE DRAWING 770F SERIES					
CABLE TOLERANCES IN ENGLISH		CODE IDENT. NO. 52681					
1" ≤ LENGTH < 1' = +1"/ - 0		DWG. NO. 78576					
1' ≤ LENGTH < 5' = +2"/ - 0		SCALE: 3X					
5' ≤ LENGTH < 100' = +6"/ - 0		SHEET 1 OF 1					
100' ≤ LENGTH = +1' / - 0							
FILLETS AND RADII .003 - .005							
DIMENSIONS IN MILLIMETERS [IN BRACKETS]							
DECIMALS X ± 0.8 XX ± 0.25							
ANGLES ± 2 DEGREES							
CABLE TOLERANCES IN METRIC							
2.54cm ≤ LENGTH < 30.5cm = +2.54cm / - 0							
30.5cm ≤ LENGTH < 1.5m = +5.1cm / - 0							
1.5m ≤ LENGTH < 30.5m = +15.2cm / - 0							
30.5m ≤ LENGTH = +30.5cm / - 0							
FILLETS AND RADII 0.07 - 0.13							



3425 WALDEN AVE. DEPEW, NY 14043
(716) 684-0001 E-MAIL: sales@pcb.com