

APPLICATION

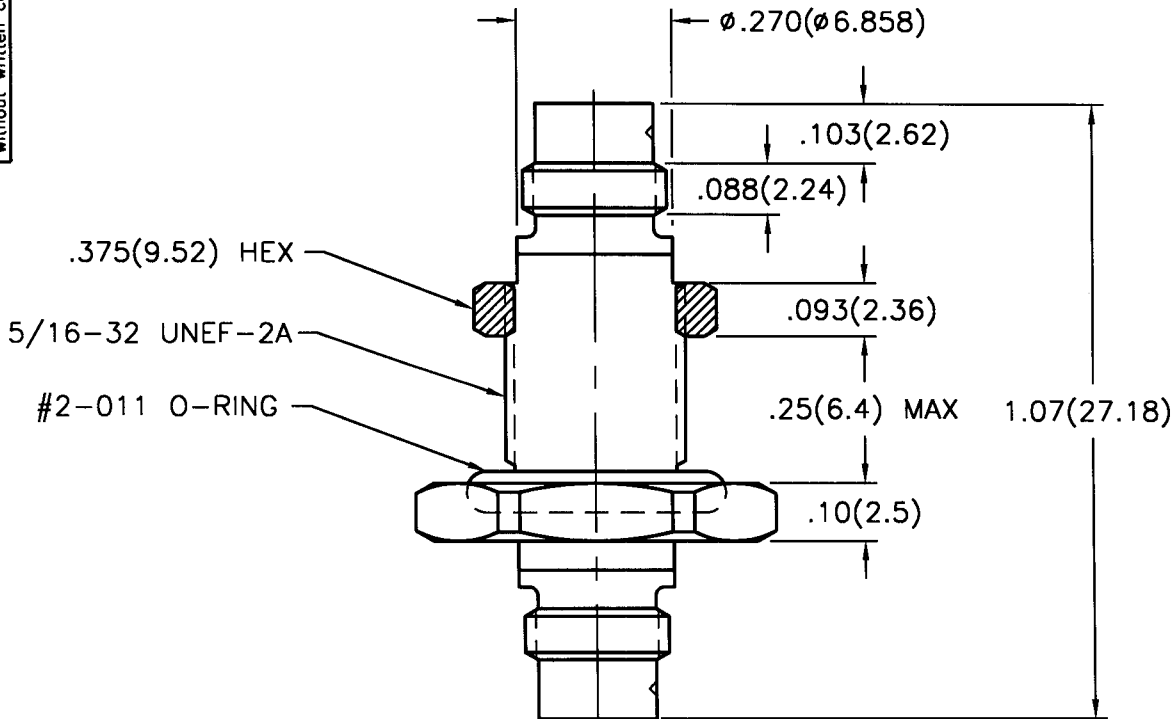
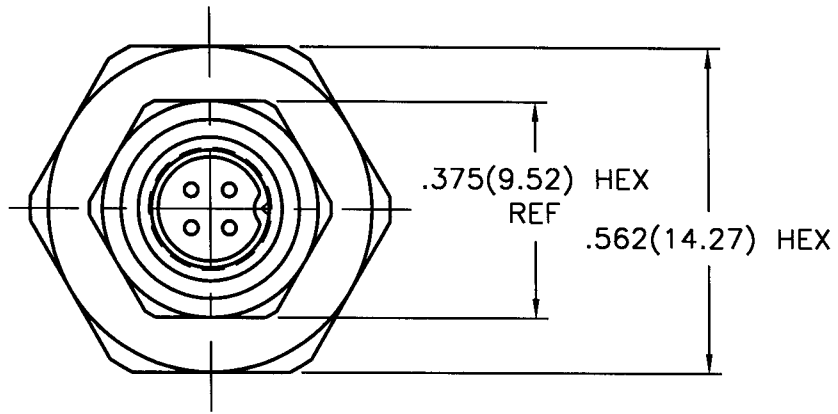
NEXT ASS'Y	USED ON	VAR

REVISIONS

REV	DESCRIPTION	ECN	DATE	APP'D
B	DESIGN UPDATE	10297	4/1/99	DM 4/99

7878

PCB Piezotronics Inc. claims proprietary rights in the information disclosed hereon. Neither it nor any reproduction thereof will be disclosed to others without written consent of PCB Piezotronics Inc.



ELECTRICAL CONNECTOR  
4-PIN 1/4-28 UNF-2A  
TYP 2 PLACES

UNLESS SPECIFIED TOLERANCES

DIMENSIONS IN INCHES	DIMENSIONS IN MILLIMETERS (IN PARENTHESIS)
DECIMALS XX ± .01	DECIMALS XX ± 0.3
XXX ± .005	XXX ± 0.13
ANGLES ± 2 DEGREES	ANGLES ± 2 DEGREES
FILLETS AND RADII .003 - .005	FILLETS AND RADII (0.07 - 0.13)

DRAWN	DM	4/2/99	MFG	SCG	4-2-99
CHK'D	DM	4/2/99	ENGR	DM	4/2/99
APP'D	DM	4/2/99	SALES	CSG	4/2/99

**PCB PIEZOTRONICS**  
3425 WALDEN AVE. DEPEW, NY 14043  
(716) 684-0001 EMAIL: SALES@PCB.COM

CODE IDENT. NO. 52681

DWG. NO. 7878

TITLE  
OUTLINE DRAWING  
MODEL 080M233  
CONNECTOR ADAPTOR

DD011 REV. B 03/13/98

SCALE: 3 X SHEET 1 OF 1