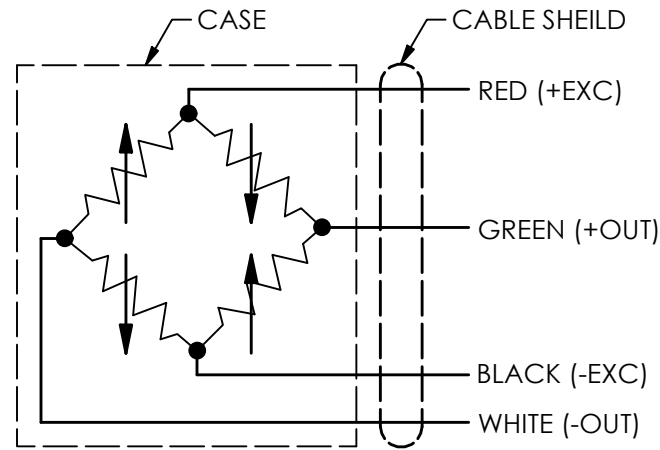


80529

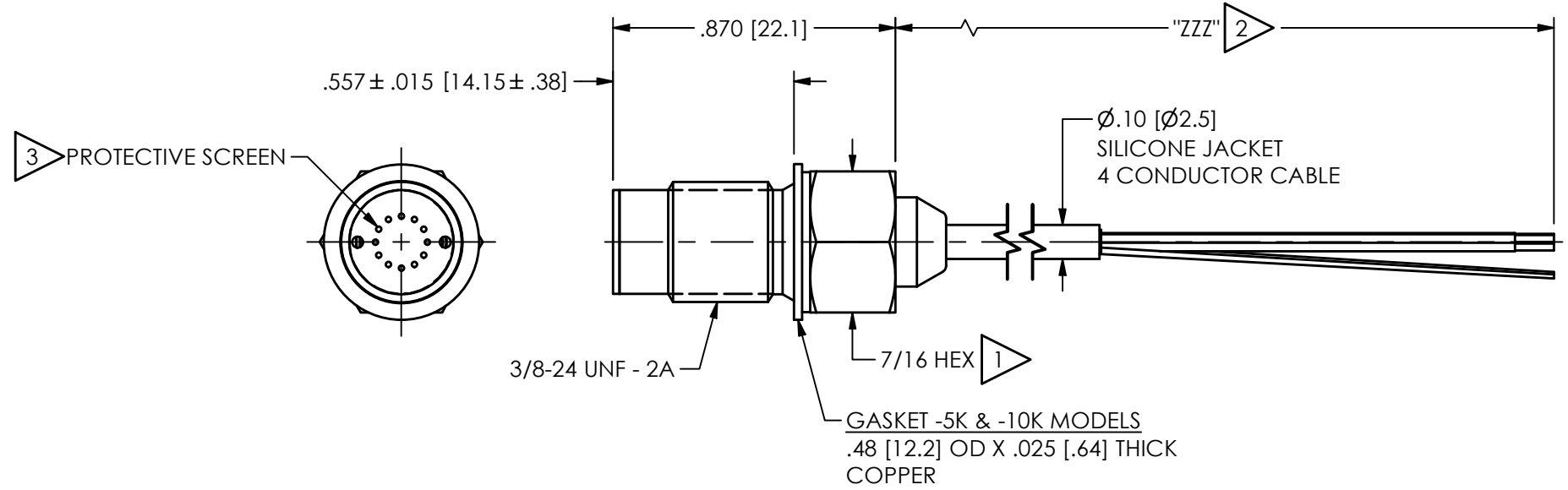
PCB Piezotronics of NC, Inc. (DBA Endevco) claims proprietary rights in the information disclosed hereon. Neither it nor any reproduction thereof will be disclosed to others without the written consent of PCB Piezotronics of NC, Inc. (DBA Endevco)

REVISIONS		
REV	DESCRIPTION	DIN
NR	RELEASED TO DRAFTING	55939

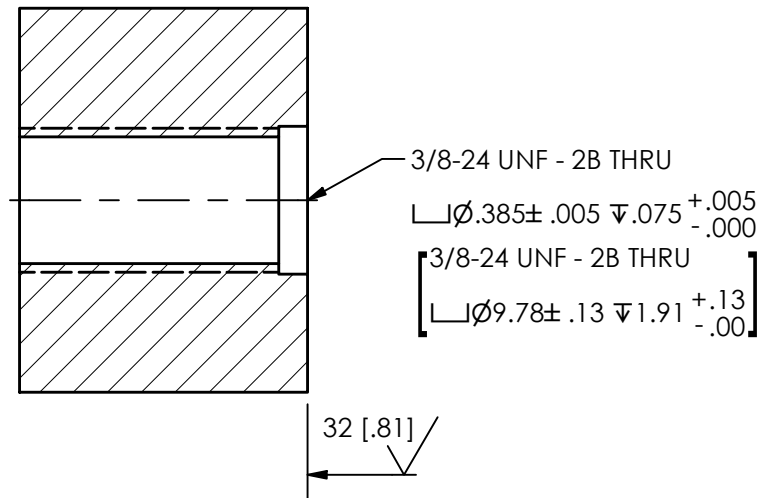
ELECTRICAL SCHEMATIC



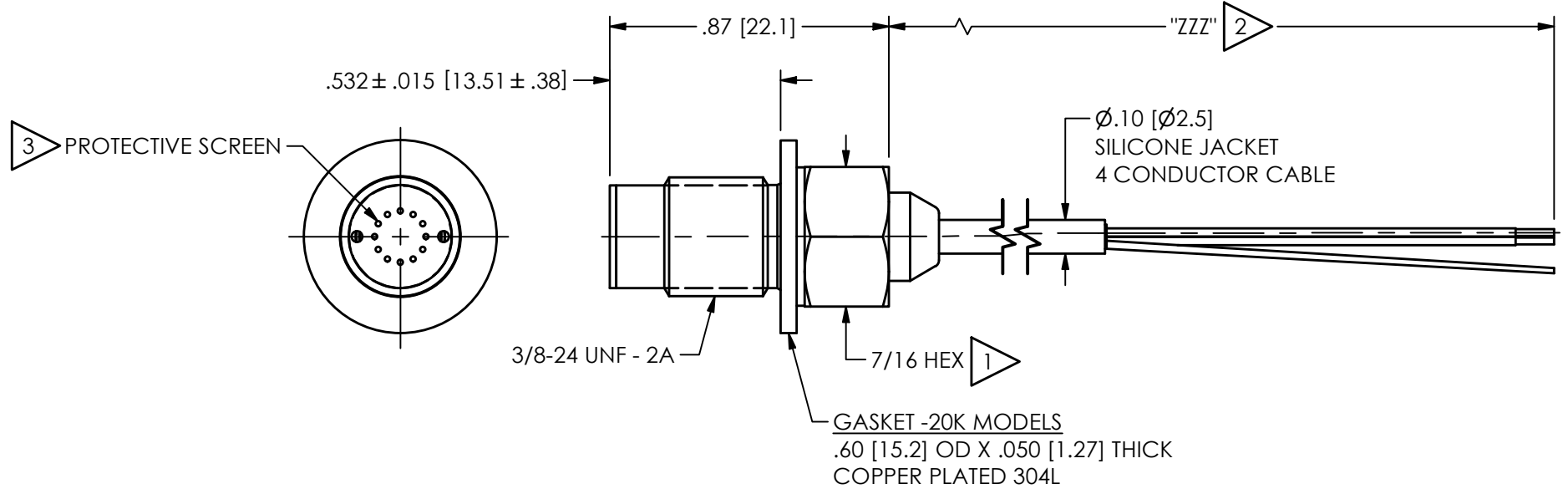
8511AMX-5K & -10K



MOUNTING DETAIL



8511AMX-20K



- 3 VOLUME BEHIND THE SCREEN FILLED WITH BLACK SILICONE GREASE
- 2 CABLE LENGTH IN INCHES. IF NO -ZZZ IS SPECIFIED THE DEFAULT LENGTH IS 30 INCHES
- 1 MOUNTING TORQUE ON 7/16 HEX,
FOR -5K AND -10K: 12 ± 2 LB*FT [16 ± 3 N*m]
FOR -20K: 25 ± 4 LB*FT [34 ± 5 N*m]

UNLESS OTHERWISE SPECIFIED TOLERANCES ARE:		DRAWN		CHECKED		ENGINEER	
DIMENSIONS IN INCHES		AME	7/31/25	JDM	7/31/25	MJP	7/31/25
DECIMALS XX ±.03 XXX ±.010		TITLE					
ANGLES ± 2 DEGREES		OUTLINE DRAWING					
CABLE TOLERANCES IN ENGLISH		8511A PRESSURE TRANSDUCER					
1" ≤ LENGTH < 1' = +1"/-0							
1' ≤ LENGTH < 5' = +2"/-0							
5' ≤ LENGTH < 100' = +6"/-0							
100' ≤ LENGTH = +1'/-0							
FILLETS AND RADII .003 - .005							
DIMENSIONS IN MILLIMETERS [IN BRACKETS]							
DECIMALS X ± 0.8 XX ± 0.25							
ANGLES ± 2 DEGREES							
CABLE TOLERANCES IN METRIC							
2.54cm ≤ LENGTH < 30.5cm = +2.54cm/-0							
30.5cm ≤ LENGTH < 1.5m = +5.1cm/-0							
1.5m ≤ LENGTH < 30.5m = +15.2cm/-0							
30.5m ≤ LENGTH = +30.5cm/-0							
FILLETS AND RADII 0.07 - 0.13							

ENDEVCO
AN AMPHENOL COMPANY
PCB PIEZOTRONICS OF NC, INC (DBA ENDEVCO)
10869 NC HIGHWAY 903, HALIFAX, NC 27839

CODE IDENT. NO. 8DN13
DWG. NO. 80529

SCALE: 2X SHEET 1 OF 1