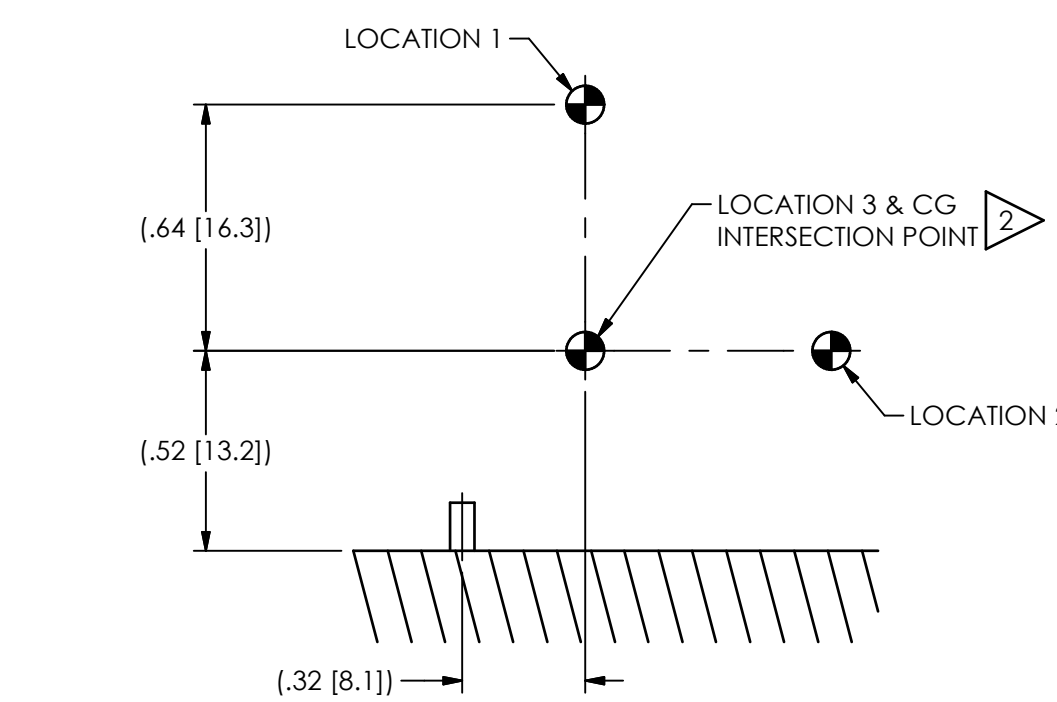
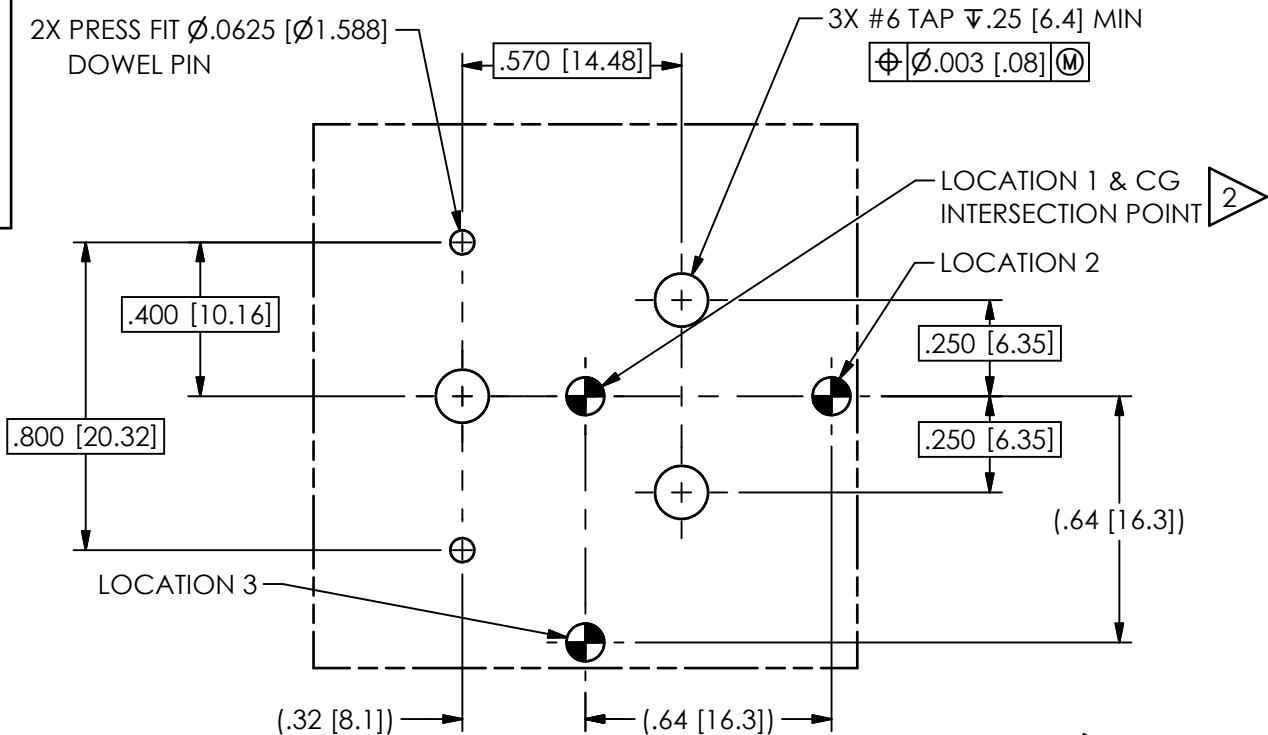


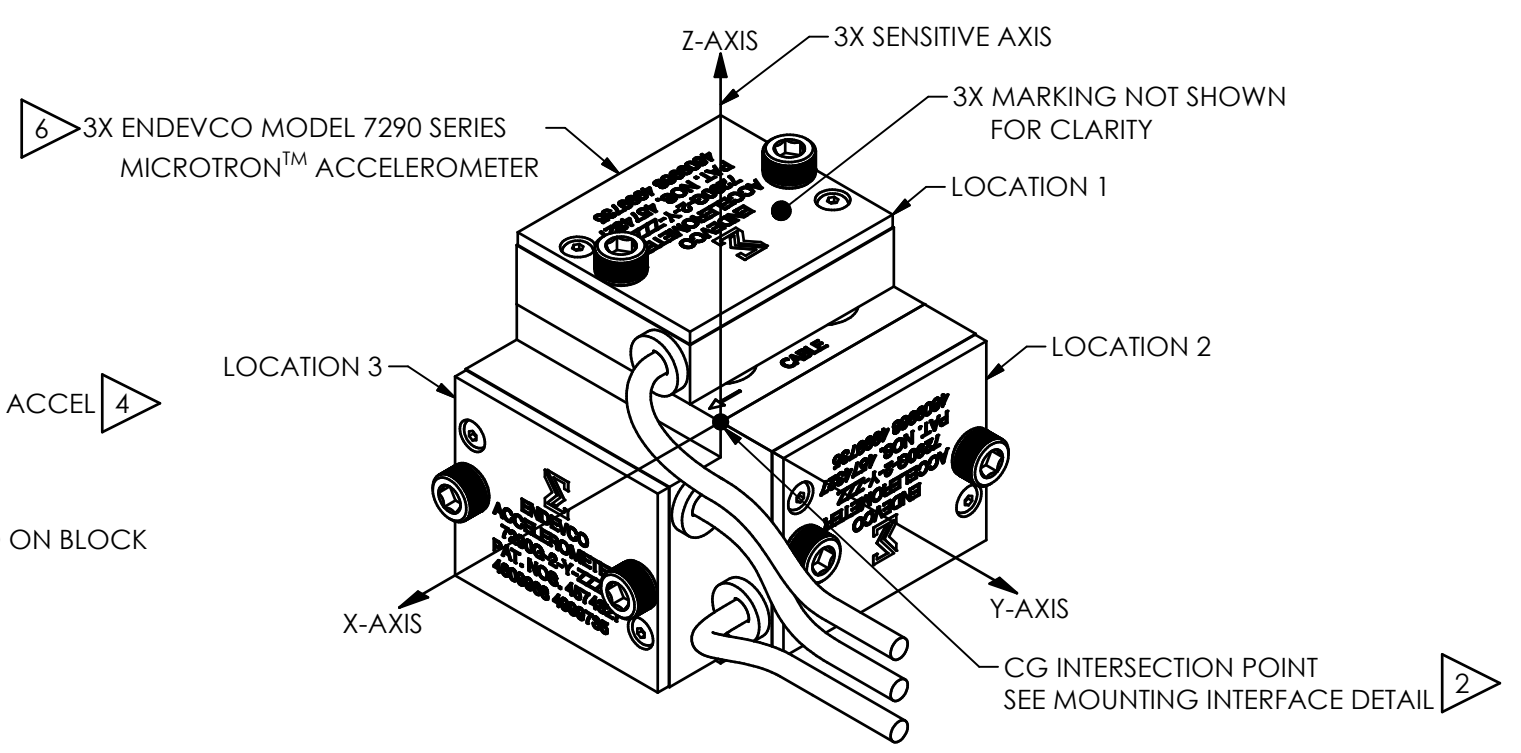
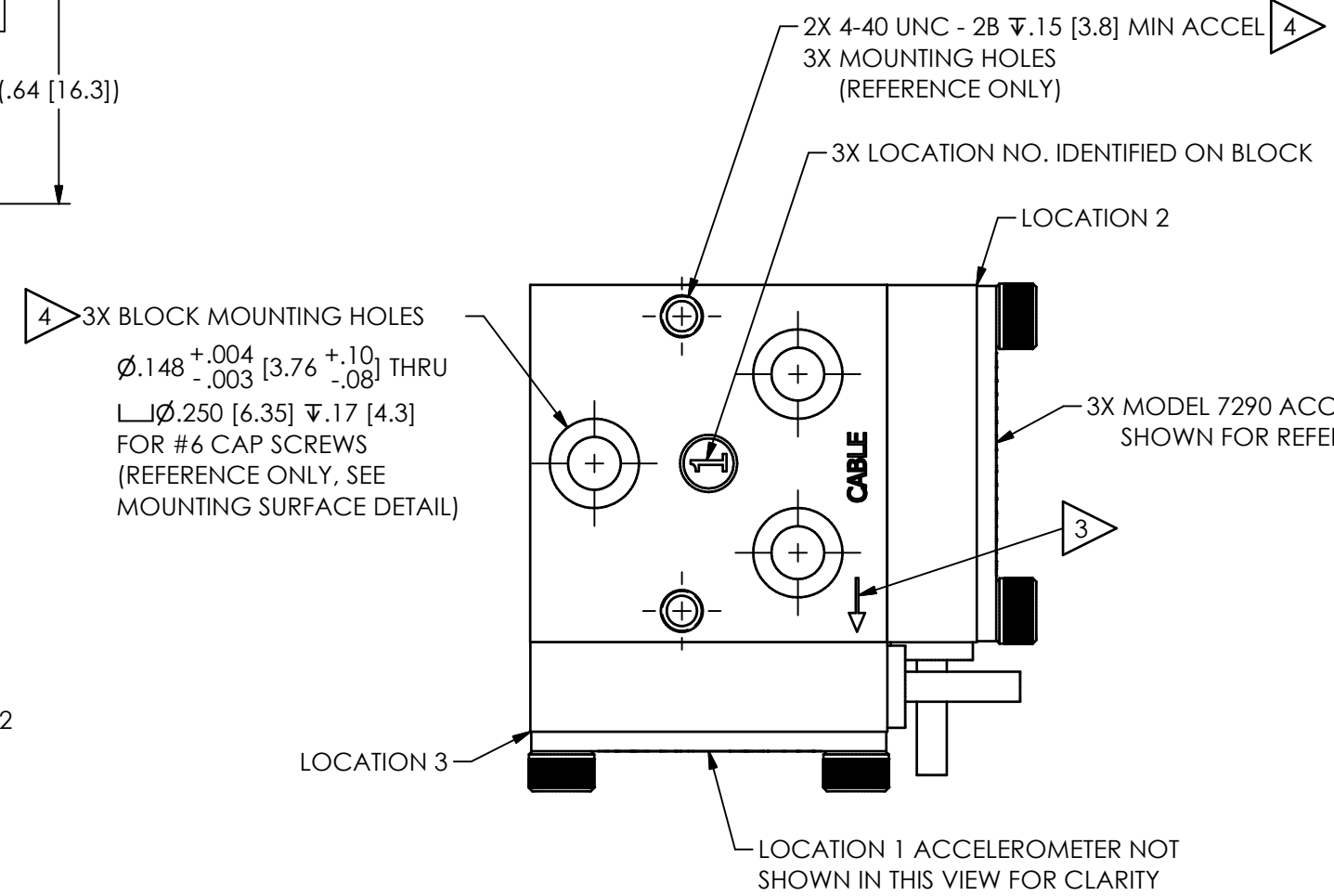
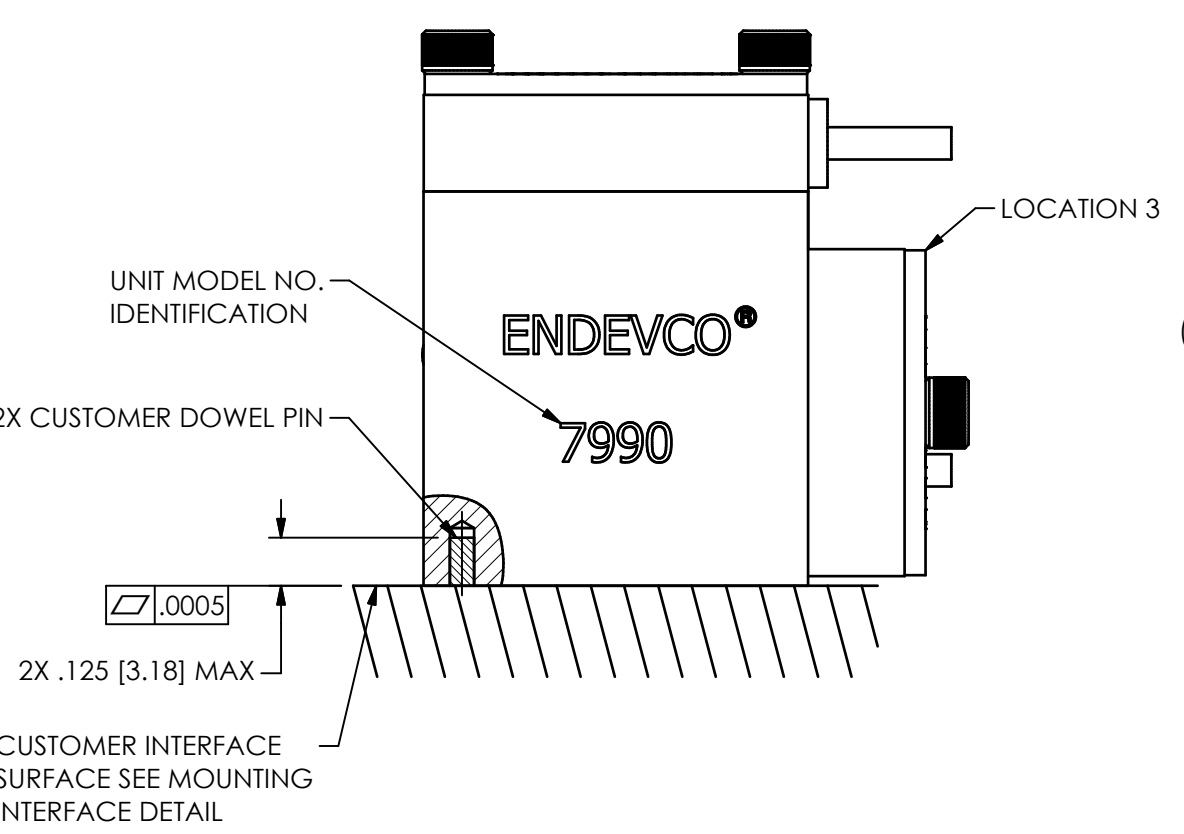
EDVID7990

PCB Piezotronics of NC, Inc. (DBA Endevco) claims proprietary rights in the information disclosed hereon. Neither it nor any reproduction thereof will be disclosed to others without the written consent of PCB Piezotronics of NC, Inc. (DBA Endevco)

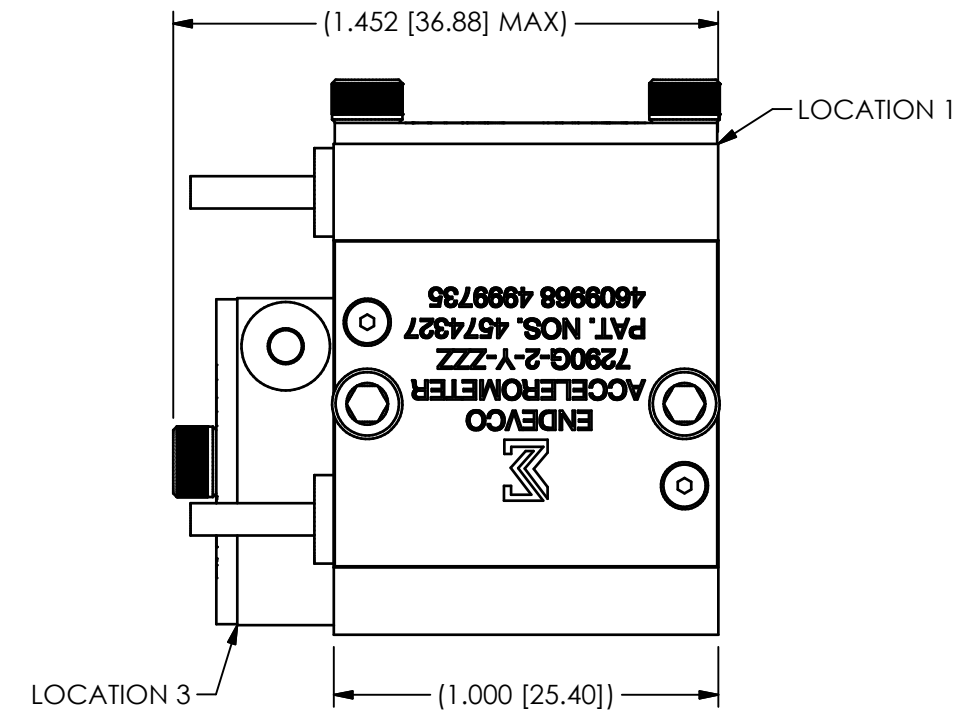
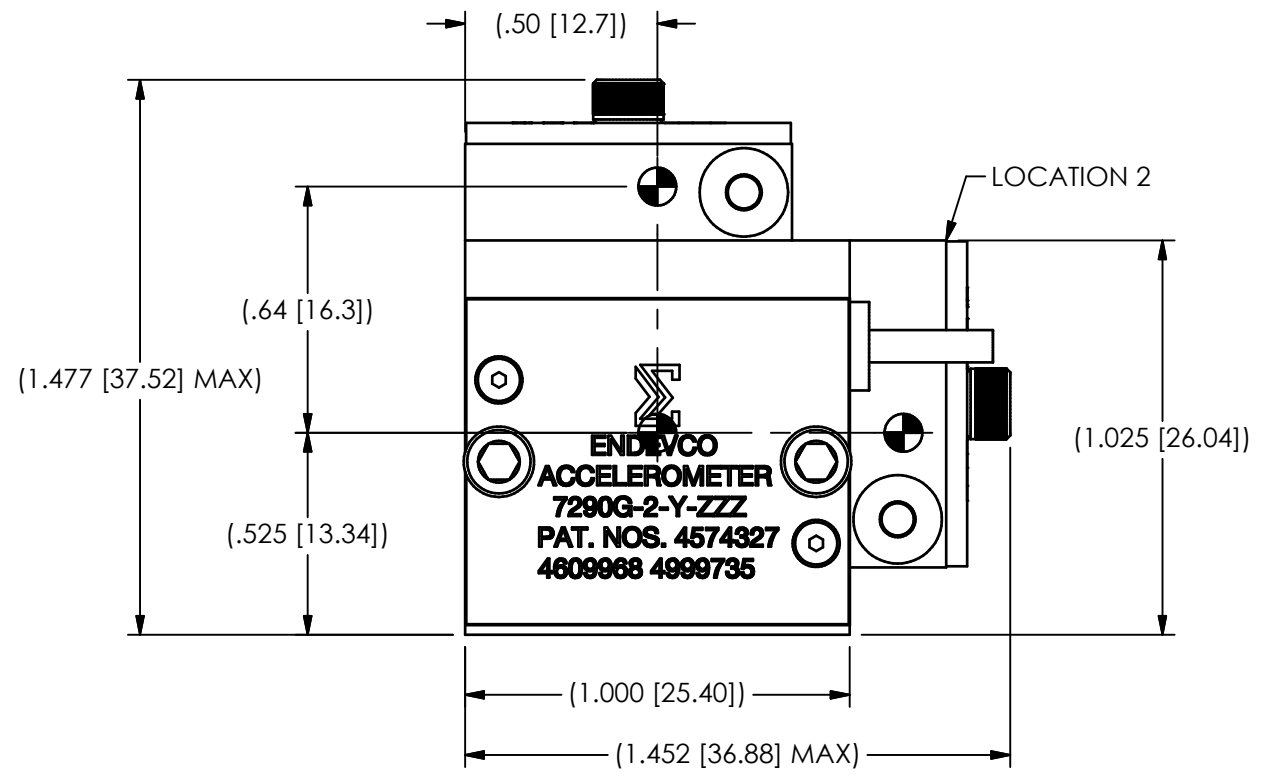
REVISIONS		
REV	DESCRIPTION	DIN
C	UPDATED TO PCB STANDARDS	54650



MOUNTING INTERFACE DETAIL



ISOMETRIC VIEW  
SCALE 1.5X



- 7.) SCREWS & HEX KEY WRENCH ARE SUPPLIED
- 6.) SEE APPLICABLE ENDEVCO PERFORMANCE SPECIFICATION FOR ACCELEROMETERS DESCRIPTION
- 5.) MOUNTING BLOCK WEIGHT, INCLUDING (3) CRES SCREWS LESS ACCELEROMETERS 40 GRAMS
- 4.) TORQUE #4 SCREWS TO 6 IN-LBS [.9 N-m]. TORQUE #6 SCREWS TO 8 IN-LBS [1.2 N-m]
- 3.) ENGRAVED ARROWS INDICATE CABLE DIRECTION
- 2.) SENSITIVE AXES FOR THE THREE MUTUALLY ORTHOGONAL ACCELEROMETERS INTERSECT AT A SINGLE POINT TO MINIMIZE THE EFFECTS OF ROTATION ON COMPUTATIONS, USE THIS POINT AS THE REFERENCE
- 1.) MATERIAL: ALUMINUM ALLOY, HARD ANODIZED

UNLESS OTHERWISE SPECIFIED TOLERANCES ARE:		DRAWN	CHECKED	ENGINEER
DIMENSIONS IN INCHES	DIMENSIONS IN MILLIMETERS	NJF	03/22/24	JDM
DECIMALS .XX ±.03	DECIMALS X ± 0.8			HX
XXX ±.010	XXX ± 0.25			03/22/24
ANGLES ± 2 DEGREES	ANGLES ± 2 DEGREES	TITLE		
CABLE TOLERANCES IN ENGLISH	CABLE TOLERANCES IN METRIC	INSTALLATION DRAWING		
1"± LENGTH < 1' = +1/-0	2.54cm ± LENGTH < 30.5cm = +2.54cm/-0	MODEL 7990		
1'± LENGTH < 5' = +2/-0	30.5cm ± LENGTH < 1.5m = +5.1cm/-0	CODE		
5'± LENGTH < 100' = +6/-0	1.5m ± LENGTH < 30.5m = +15.2cm/-0	IDENT. NO.		
100'± LENGTH = +17/-0	30.5m ± LENGTH = +30.5cm/-0	8DN13		
FILLET AND RADI .003 - .005	FILLET AND RADI 0.07 - 0.13	SCALE: 2X SHEET 1 OF 1		

**ENDEVCO**  
AN AMPHENOL COMPANY  
PCB PIEZOTRONICS OF NC, INC (DBA ENDEVCO)  
10869 NC HIGHWAY 903, HALIFAX, NC 27839  
DWG. NO. EDVID7990