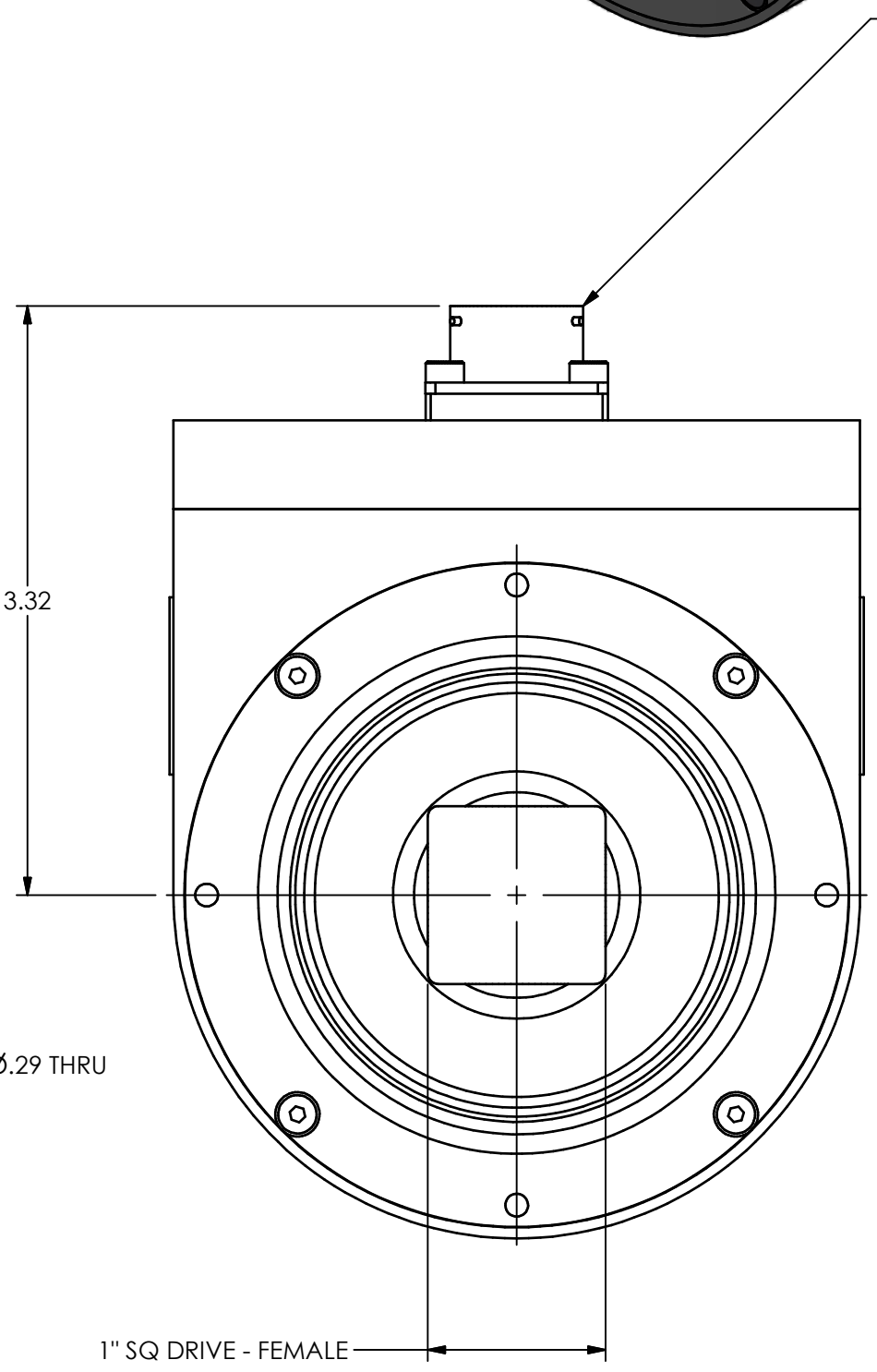
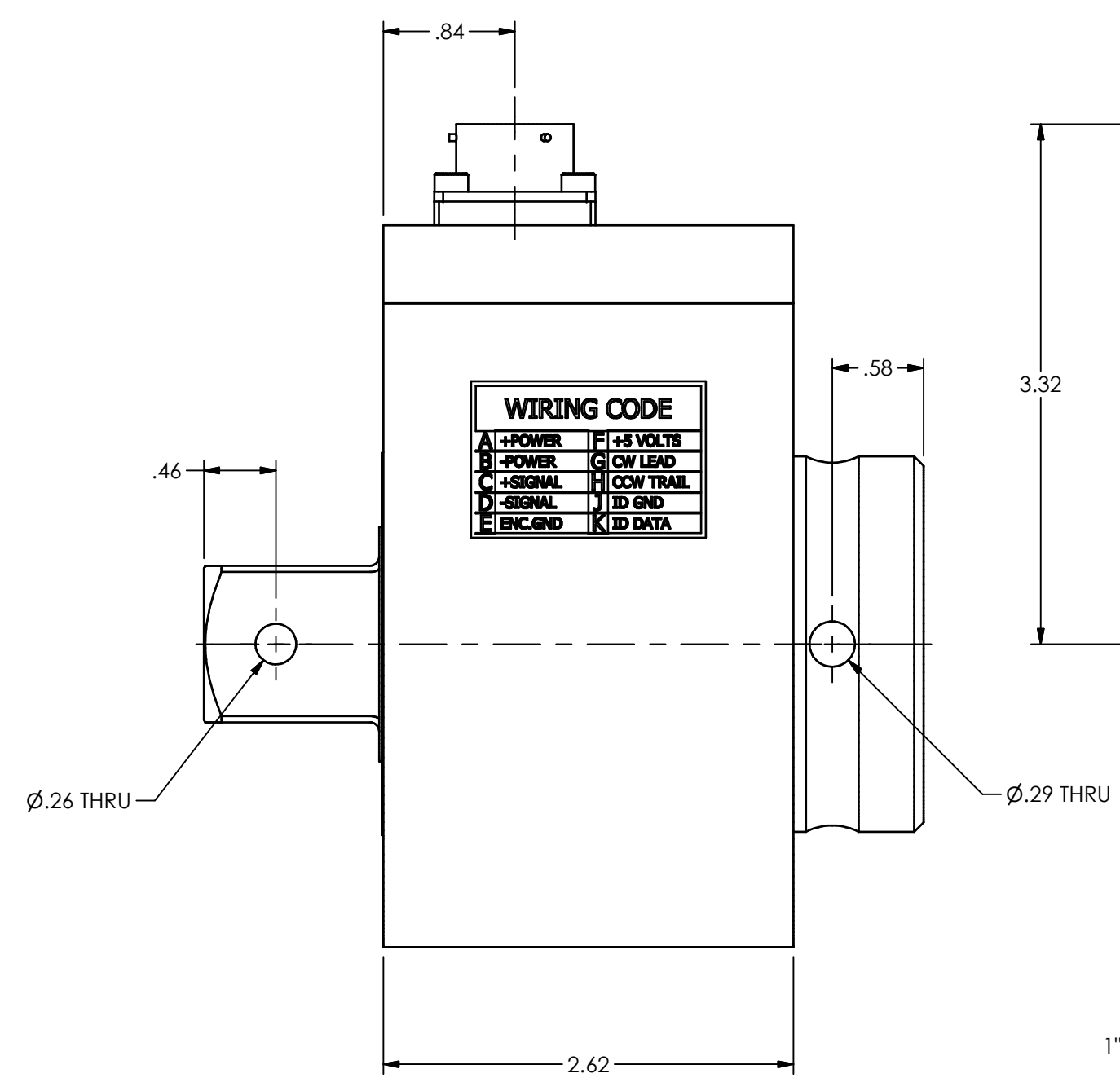
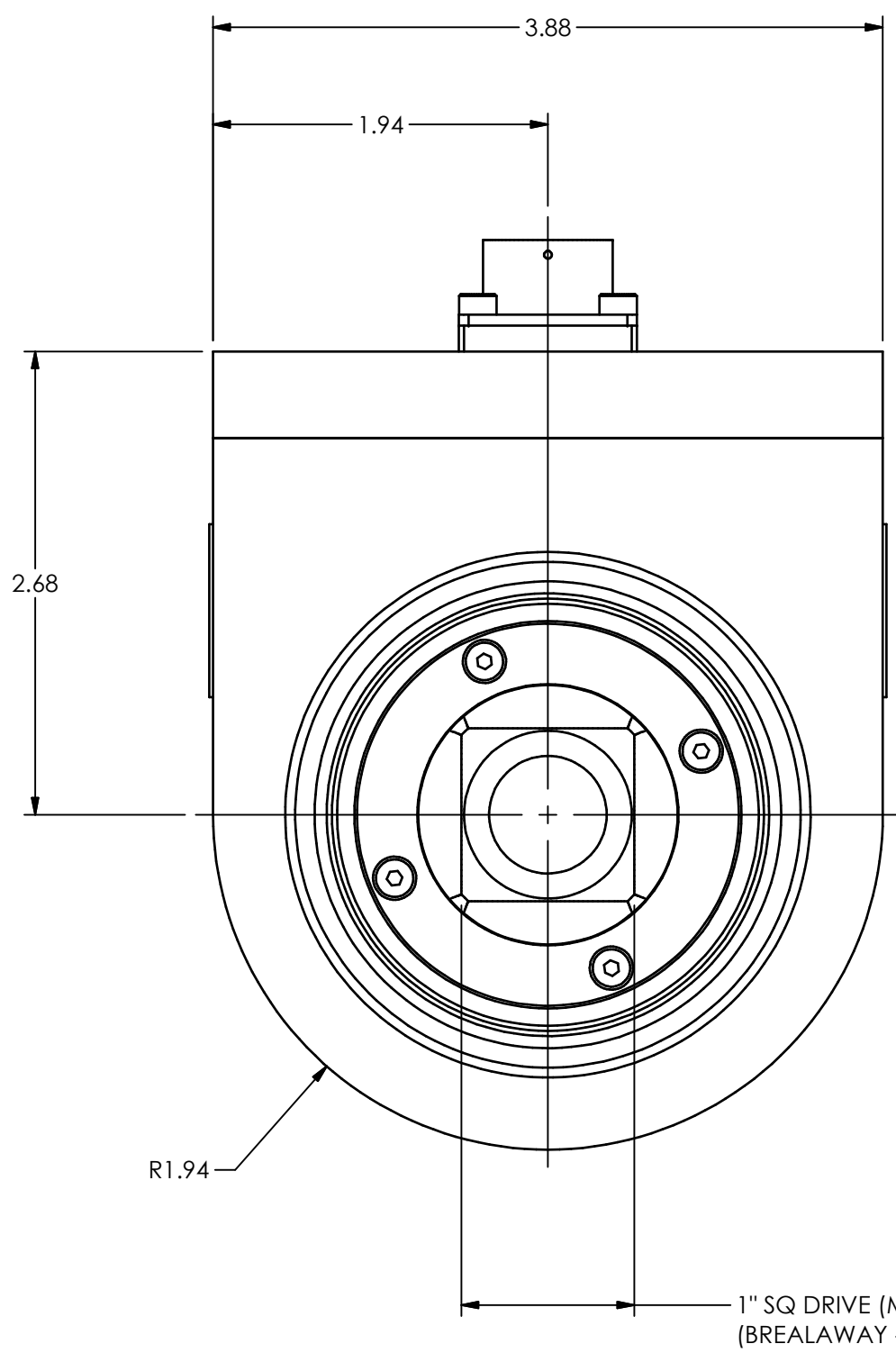
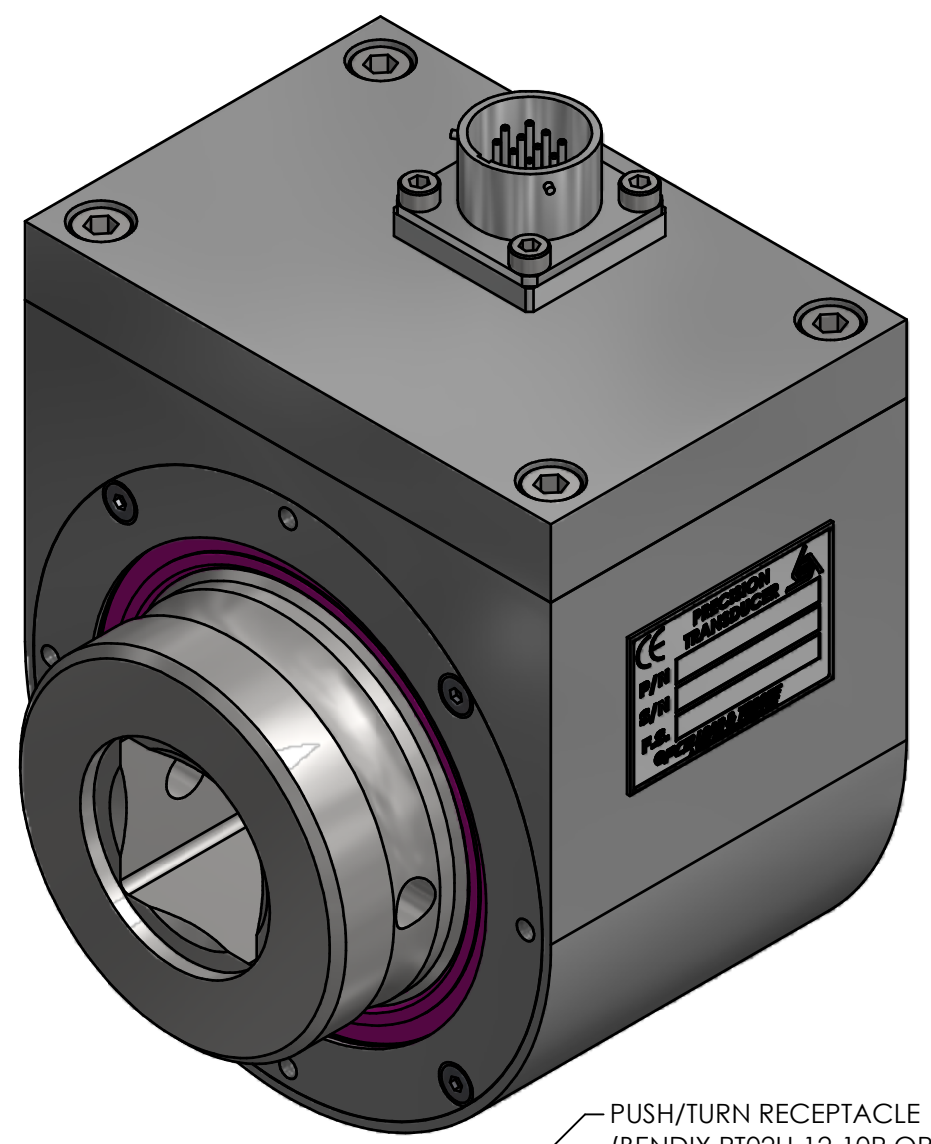
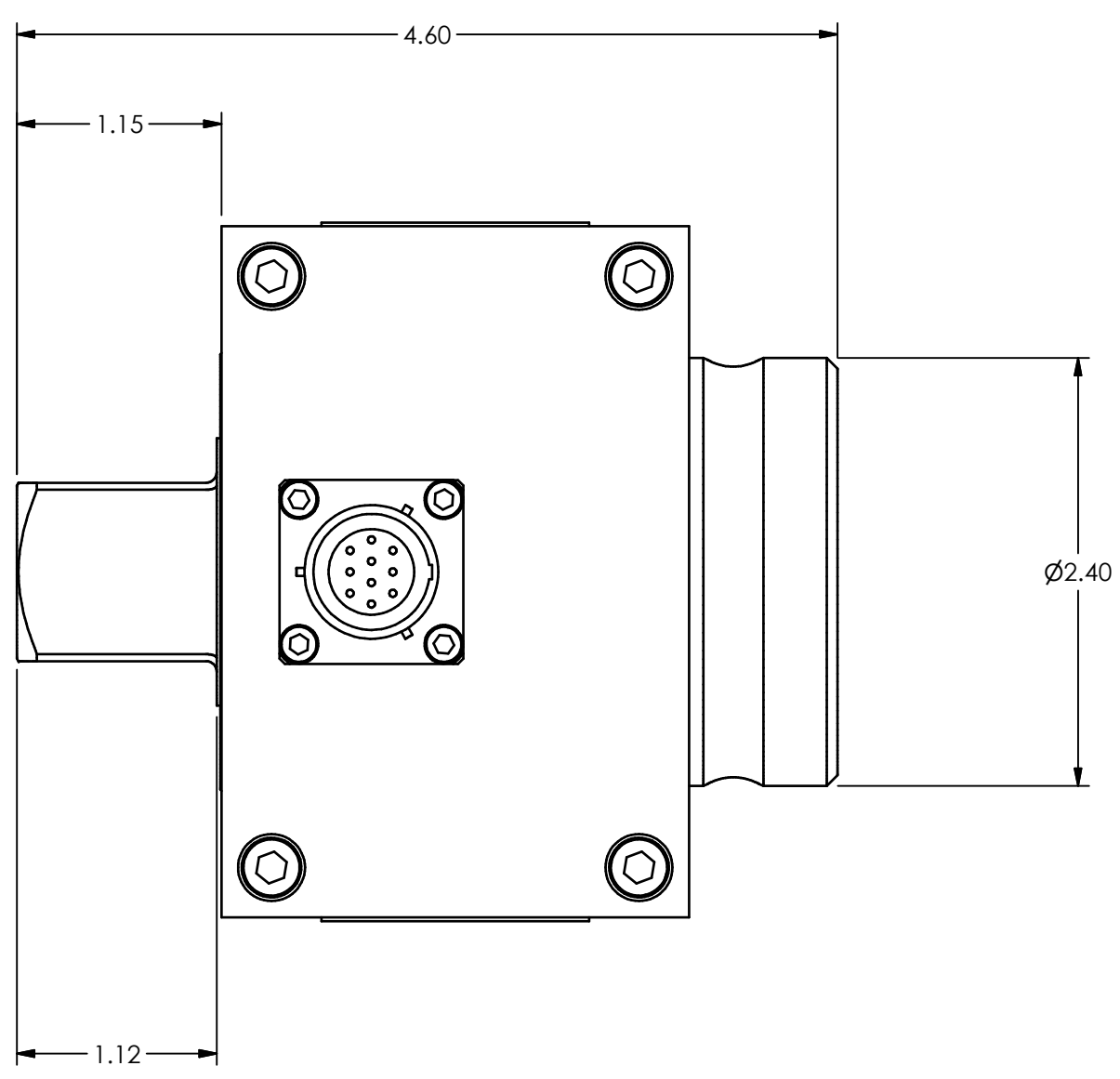
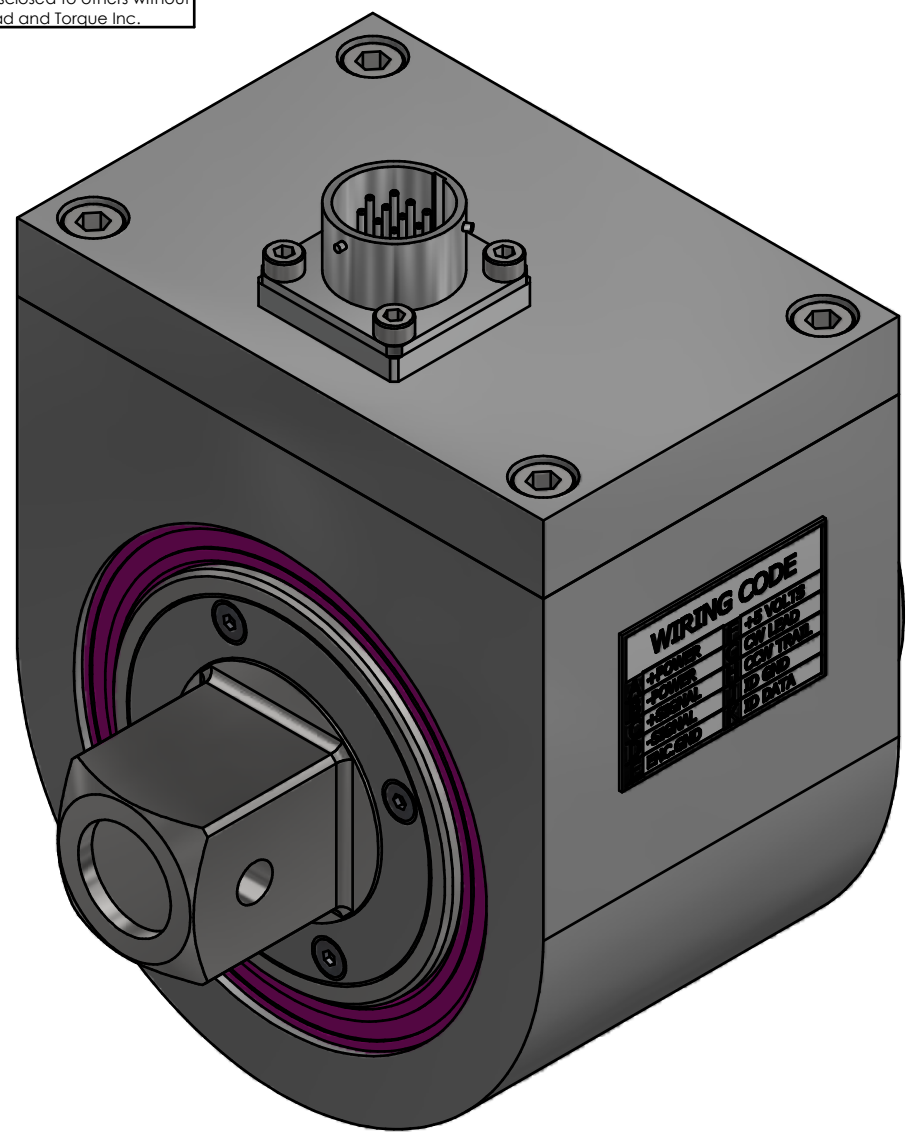


LT38325

PCB Load & Torque Inc. claims proprietary rights in the information disclosed hereon. Neither it nor any reproduction thereof will be disclosed to others without the written consent of PCB Load and Torque Inc.

REVISIONS		
REV	DESCRIPTION	ECO
C	UPDATED WIRING CODE - 06.21.17, PTE	46925



PUSH/TURN RECEPTACLE  
(BENDIX PT02H-12-10P OR EQUIV.)  
WIRING CODE:

9001 SERIES	9201 SERIES
PIN A +POWER	PIN A +POWER
PIN B -POWER	PIN B -POWER
PIN C +SIGNAL	PIN C +SIGNAL
PIN D -SIGNAL	PIN D -SIGNAL
PIN E N/C	PIN E ENCODER GRD
PIN F N/C	PIN F +5V
PIN G N/C	PIN G CW LEAD
PIN H N/C	PIN H CCW TRAIL
PIN J ID GRD	PIN J ID GRD
PIN K ID DATA	PIN K ID DATA

WIRING CODE			
A	+POWER	F	+5 VOLTS
B	-POWER	G	CW LEAD
C	+SIGNAL	H	CCW TRAIL
D	-SIGNAL	J	ID GRD
E	ENC.GND	K	ID DATA

UNLESS OTHERWISE SPECIFIED TOLERANCES ARE:		DRAWN	CHECKED	ENGINEER	PCB LOAD & TORQUE A PCB GROUP COMPANY		
DIMENSIONS IN INCHES	DIMENSIONS IN MILLIMETERS [IN BRACKETS]	PTE	02.29.12	JAM		03.22.12	PTE
DECIMALS .XX ±.01 XXX ±.005	DECIMALS X ± 0.3 XX ± 0.13	TITLE				24350 Indoplex Circle, Farmington Hills, MI 48335 (716) 684-0001 E-MAIL: linfo@pcbloadtorque.com	
ANGLES ± .5 DEGREES	ANGLES ± .5 DEGREES	OUTLINE DRAWING ROTARY TORQUE 1" SQ DRIVE HC, 10 PIN				DWG. NO. <b>LT38325</b>	
FILLETS AND RADII .015 MAX	FILLETS AND RADII 0.38 MAX	SCALE: FULL				SHEET 1 OF 1	